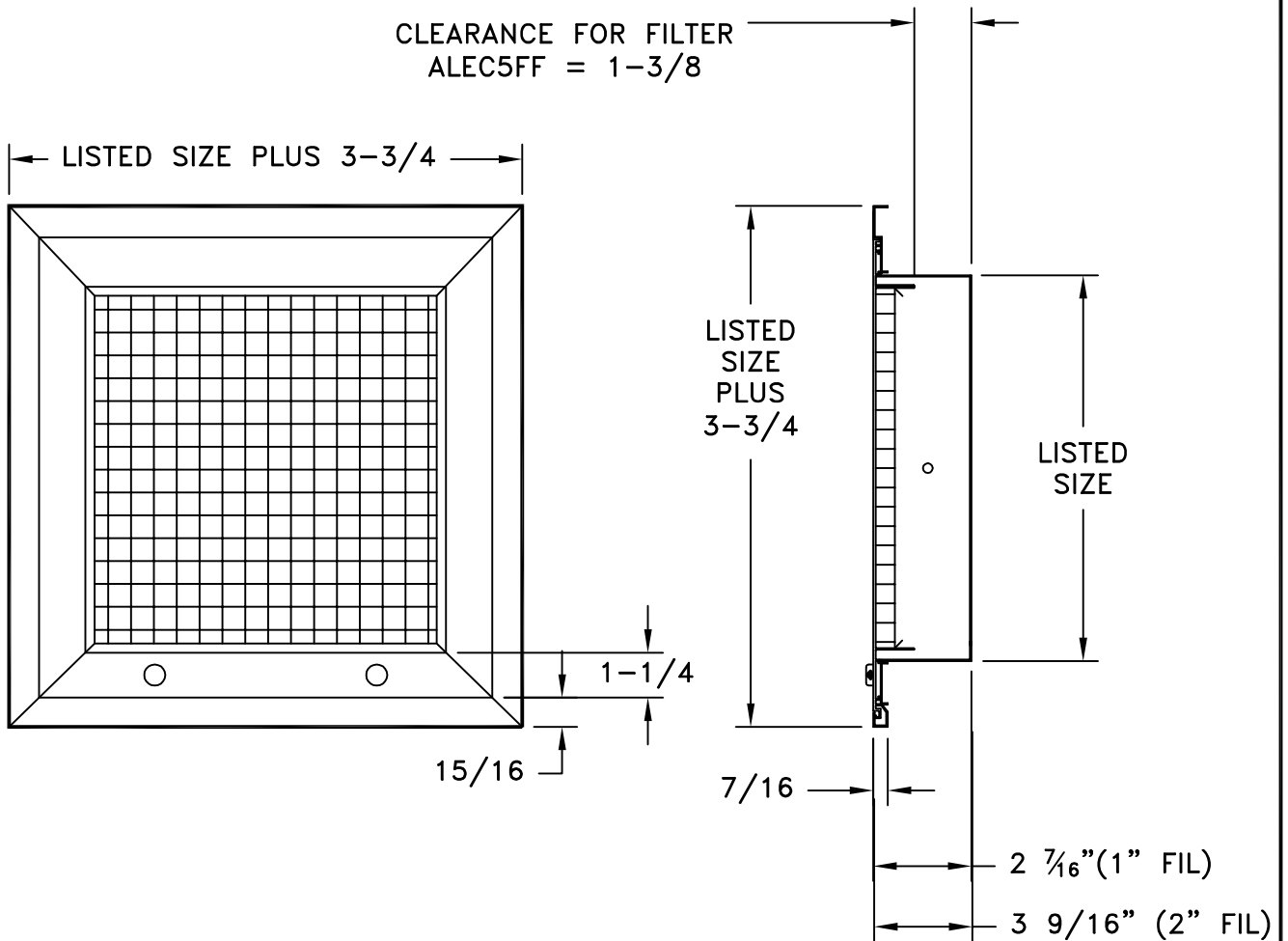


# MODEL ALEC5FF

## HINGED FILTER FRAME

STANDARD INDUSTRY TOLERANCES APPLY. SPECIFICATIONS SUBJECT TO CHANGE WITHOUT NOTICE.



The Model ALEC5FF is a return air filter grille that has an aluminum square pattern grid providing maximum free area. ALEC5FF has a 1/2" x 1/2" x 1/2" core grid.

The Model ALEC5FF has concealed hinges with 1/4 turn fasteners and an aluminum frame. 1" disposable filter (by others). Standard finish is white.

\_\_\_\_\_  
 ARCHITECT:  
 \_\_\_\_\_  
 ENGINEER:  
 \_\_\_\_\_  
 CONTRACTOR:  
 \_\_\_\_\_  
 LOCATION:  
 \_\_\_\_\_

