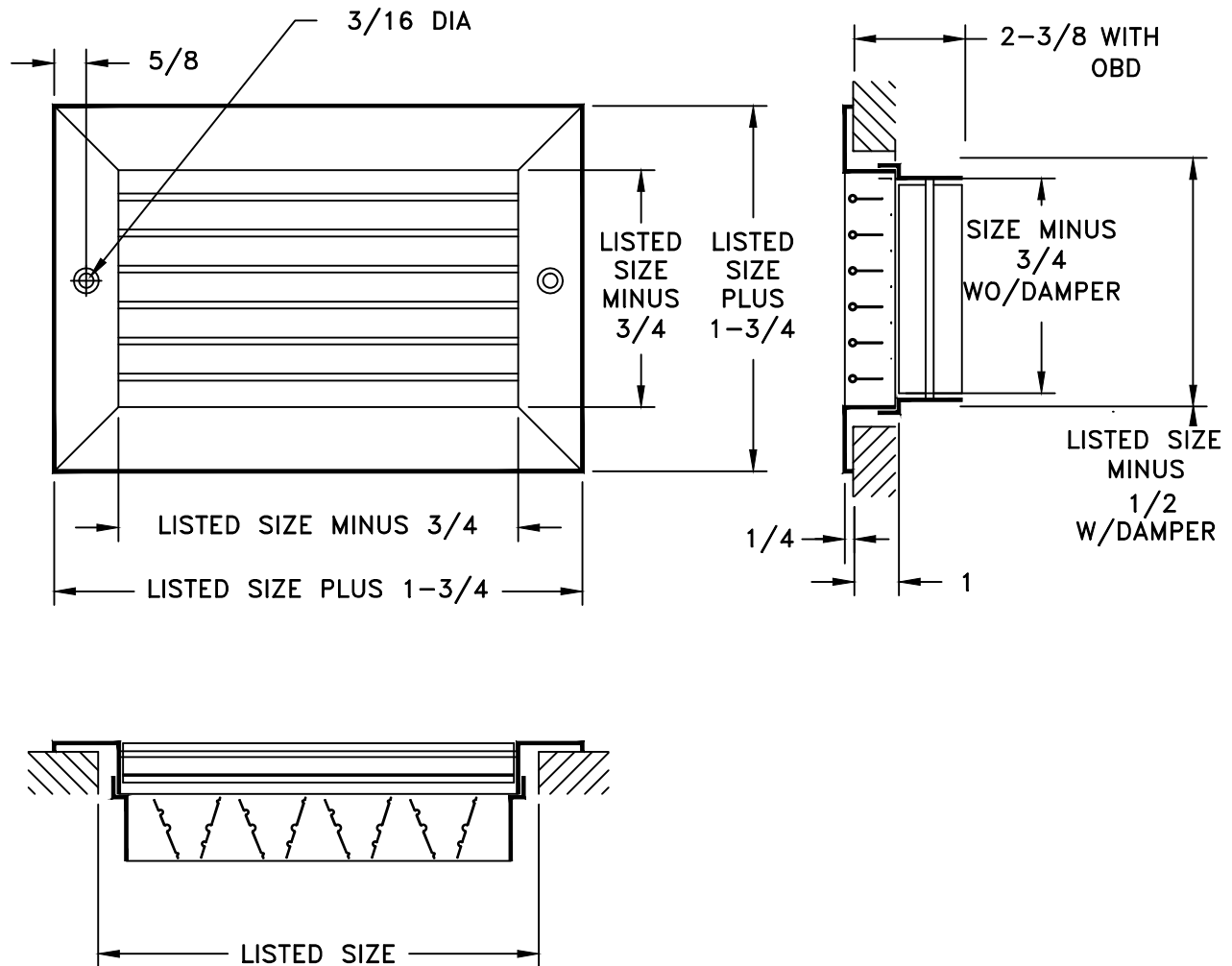


# MODEL ALS90ZH/ALS90ZV

## FIXED BLADE RETURN

STANDARD INDUSTRY TOLERANCES APPLY. SPECIFICATIONS SUBJECT TO CHANGE WITHOUT NOTICE.



Model ALS90Z is a matching return air unit for Series 90, 990 and 900 supply units. Optional Opposed Blade Damper (OBD) ensures exacting volume control by spreading air uniformly. Damper is screwdriver operated. Aluminum construction with steel OBD (standard aluminum AL-OBD optional). Standard finish is white.

PROJECT: \_\_\_\_\_  
 ARCHITECT: \_\_\_\_\_  
 ENGINEER: \_\_\_\_\_  
 CONTRACTOR: \_\_\_\_\_  
 LOCATION: \_\_\_\_\_

