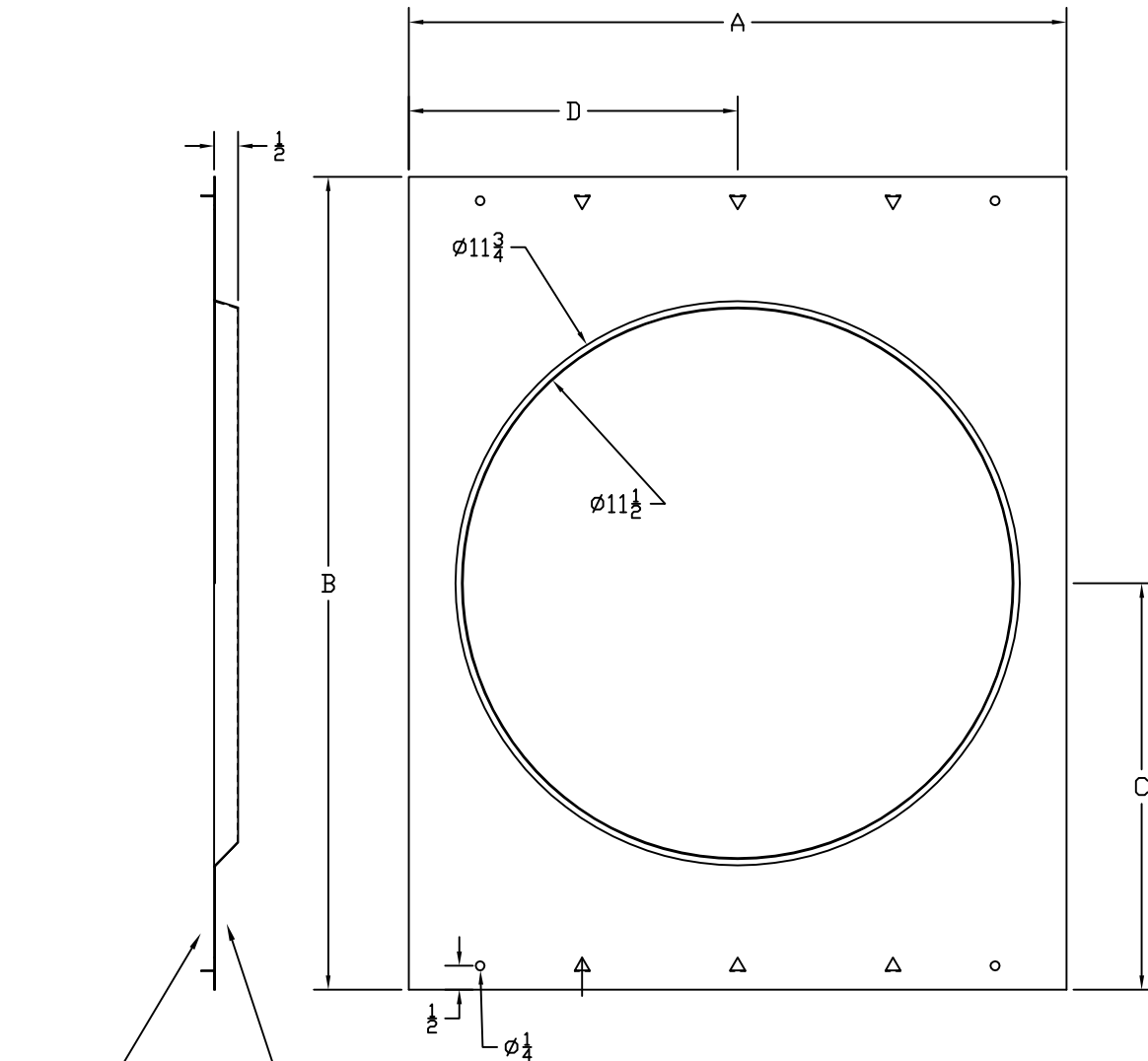


MODEL RZ150RP 16 & 24

16" & 24" O/C ROUGH-IN PLATE FOR RZ150

STANDARD INDUSTRY TOLERANCES APPLY. SPECIFICATIONS SUBJECT TO CHANGE WITHOUT NOTICE.

MATERIAL: GALVANIZED STEEL



THIS SIDE TO
BOTTOM OF JOISTS

THIS SIDE TO
ROOM INTERIOR

Dims (in)	MODEL	
	RZ150RP16	RZ150RP24
A	13 3/4	14 3/4
B	17	25
C	8 1/2	12 1/2
D	6 7/8	7 3/8

PROJECT: _____

ARCHITECT: _____

ENGINEER: _____

CONTRACTOR: _____

LOCATION: _____

