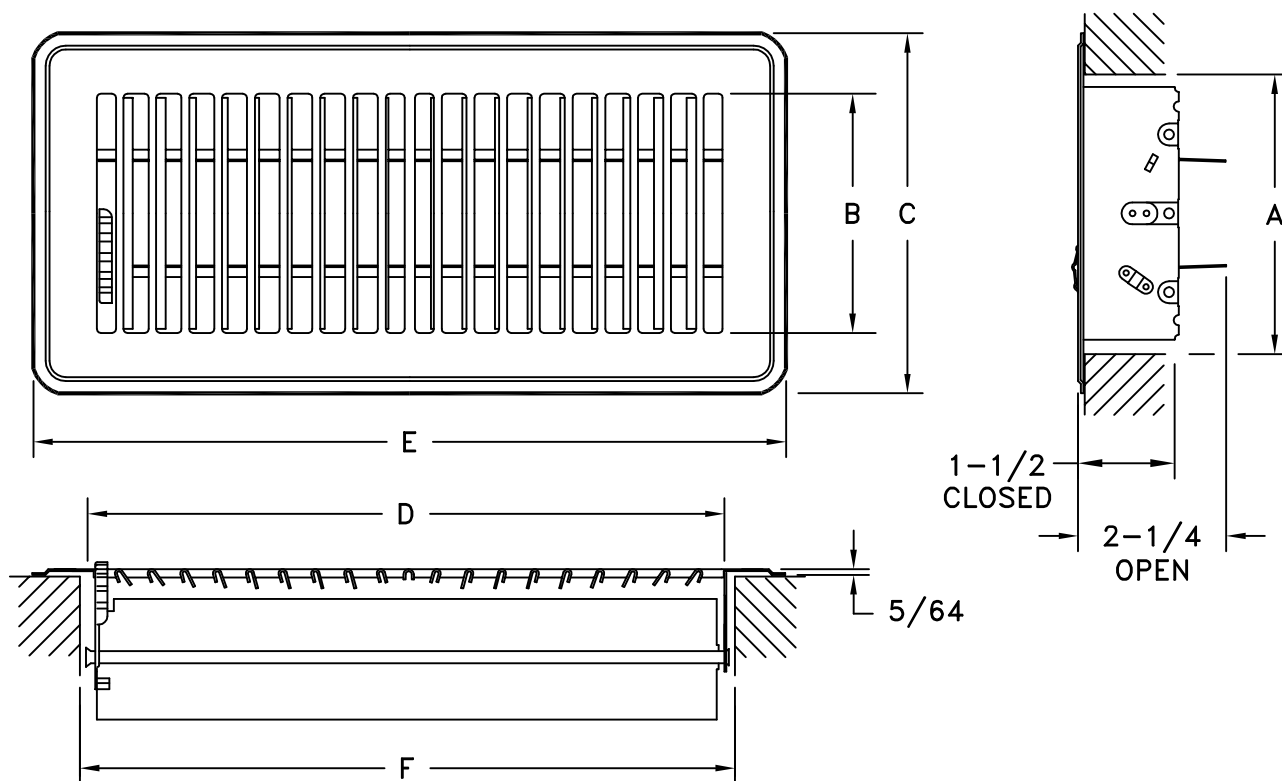


MODEL 800

STEEL FLOOR DIFFUSER

STANDARD INDUSTRY TOLERANCES APPLY. SPECIFICATIONS SUBJECT TO CHANGE WITHOUT NOTICE.



SIZE F X A	FREE AREA SQ.IN.	DIMENSIONS(SEE DETAIL SKETCHES)			
		DAYLIGHT OPENING		OVERALL	
		B	D	C	E
10 X 2	15	2	9-5/8	3-3/4	11-1/2
12 X 2	17	2	11-5/8	3-3/4	13-1/2
14 X 2	20	2	13-5/8	3-3/4	15-1/2
8 X 4	22	3-3/4	7-5/8	5-1/2	11-1/2
10 X 4	27	3-3/4	9-5/8	5-1/2	11-1/2
12 X 4	32	3-3/4	11-5/8	5-1/2	13-1/2
14 X 4	37	3-3/4	13-5/8	5-1/2	15-1/2
10 X 6	39	5-1/2	9-5/8	7-1/2	11-1/2
12 X 6	48	5-1/2	11-5/8	7-1/2	13-1/2
14 X 6	56	5-1/2	13-5/8	7-1/2	15-1/2

The model 800 is a heavy gauge stamped straight blade floor register that features a toe operated multi-louver damper. Steel construction only. Standard finish is brown.

PROJECT: _____

ARCHITECT: _____

ENGINEER: _____

CONTRACTOR: _____

LOCATION: _____

