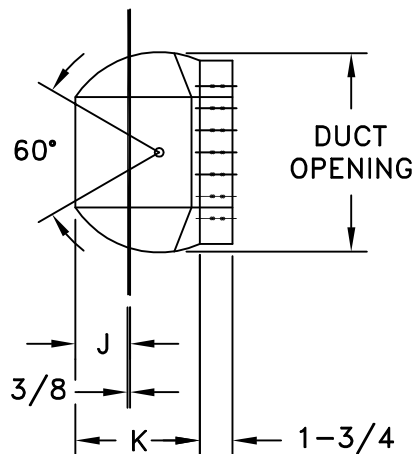
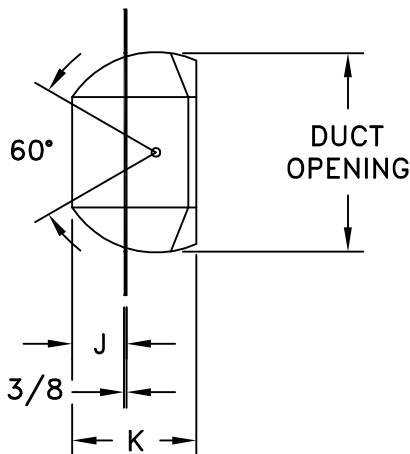
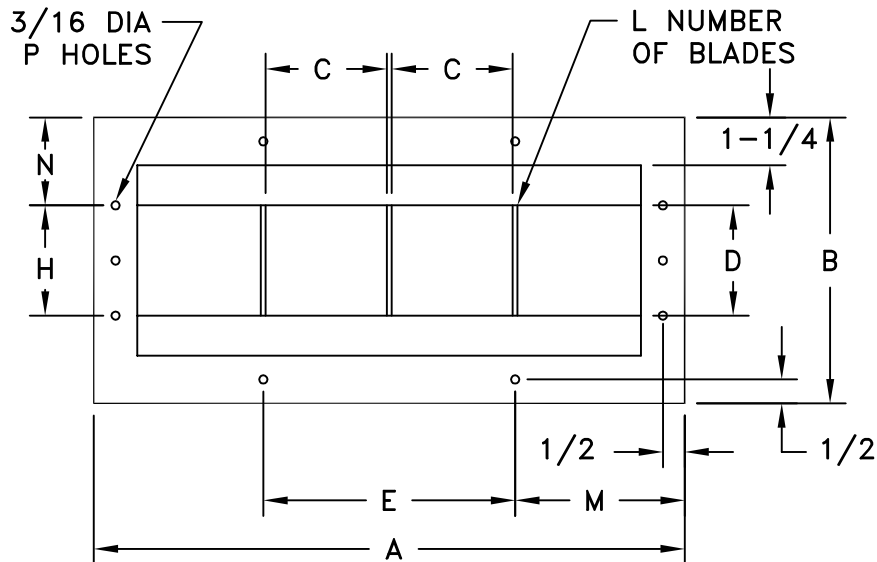


MODEL AL2900

ROTO AIRE DRUM LOUVER WITH OR WITHOUT OPPOSED BLADE DAMPER

STANDARD INDUSTRY TOLERANCES APPLY. SPECIFICATIONS SUBJECT TO CHANGE WITHOUT NOTICE.



- MODEL AL2900
- MODEL AL2900-OBDR
ROTATION LIMITED

NOTE: ORDER
HEIGHT x WIDTH

The Model AL2900 is ideal where extremely long throws are required with minimum ductwork. Adjustable drum and vane design provide horizontal or vertical air stream and throw control. The Model AL2900 is available with a screwdriver operated galvanized opposed blade damper to insure exacting volume control. Aluminum construction. Finish is white (W) or Mill (M).

PROJECT: _____

ARCHITECT: _____

ENGINEER: _____

CONTRACTOR: _____

LOCATION: _____

