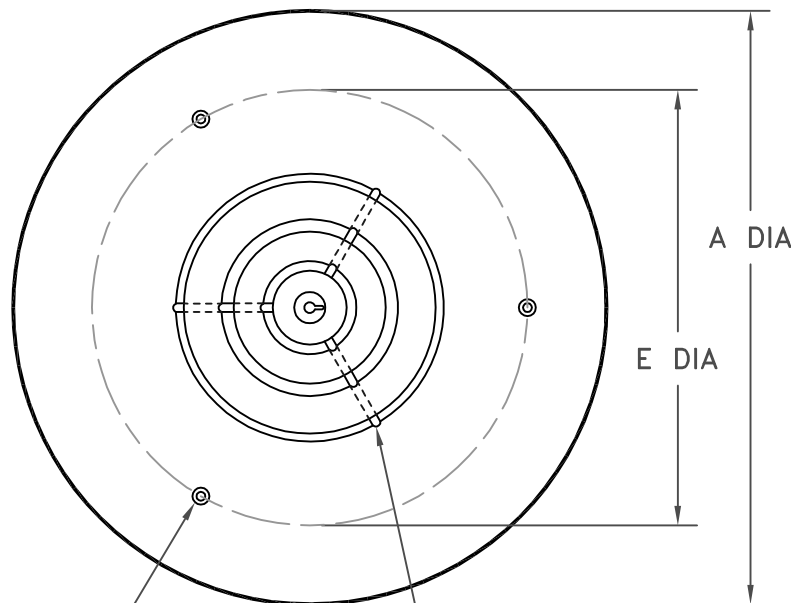


MODEL 150

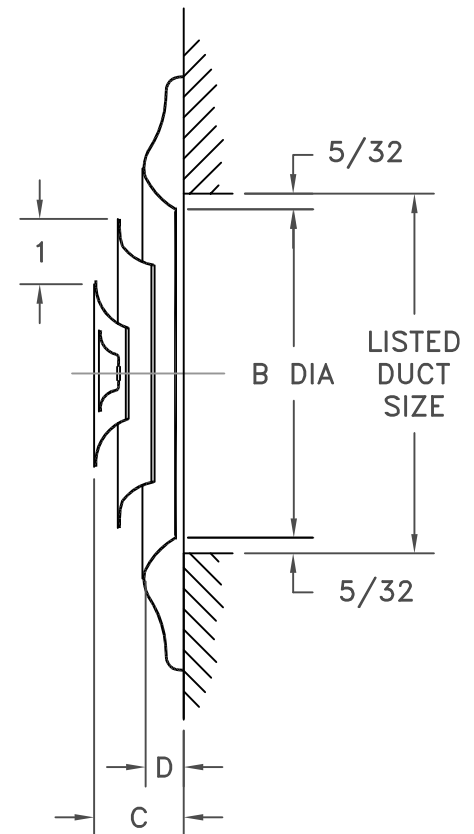
STEEL ROUND DIFFUSER

STANDARD INDUSTRY TOLERANCES APPLY. SPECIFICATIONS SUBJECT TO CHANGE WITHOUT NOTICE.



.148 WIRE

3/16 DIA
3 HOLES—SIZES 6 THRU 14
6 HOLES—SIZES 18 & 22



SIZE	A DIA	B DIA	C	D	E DIA
6	9-15/16	5-11/16	1-3/64	11/16	6-1/2
8	11-15/16	7-11/16	1-7/32	11/16	8-1/2
10	13-15/16	9-11/16	1-25/64	11/16	10-1/2
12	15-15/16	11-11/16	1-9/16	11/16	12-1/2
14	17-15/16	13-11/16	1-3/4	11/16	14-1/2
18	23	17-11/16	2-19/32	15/16	21-3/4

Model 150 is a multi-cone round ceiling diffuser with step-down rings which deflect air in a 360 air pattern for maximum efficiency. Outer ring mounts flush to the ceiling. Available in 6"–18" size range. Optional round dampers available. Steel construction. Standard finish is White. 155 Butterfly Damper optional Pg. 129.2.

PROJECT: _____
 ARCHITECT: _____
 ENGINEER: _____
 CONTRACTOR: _____
 LOCATION: _____