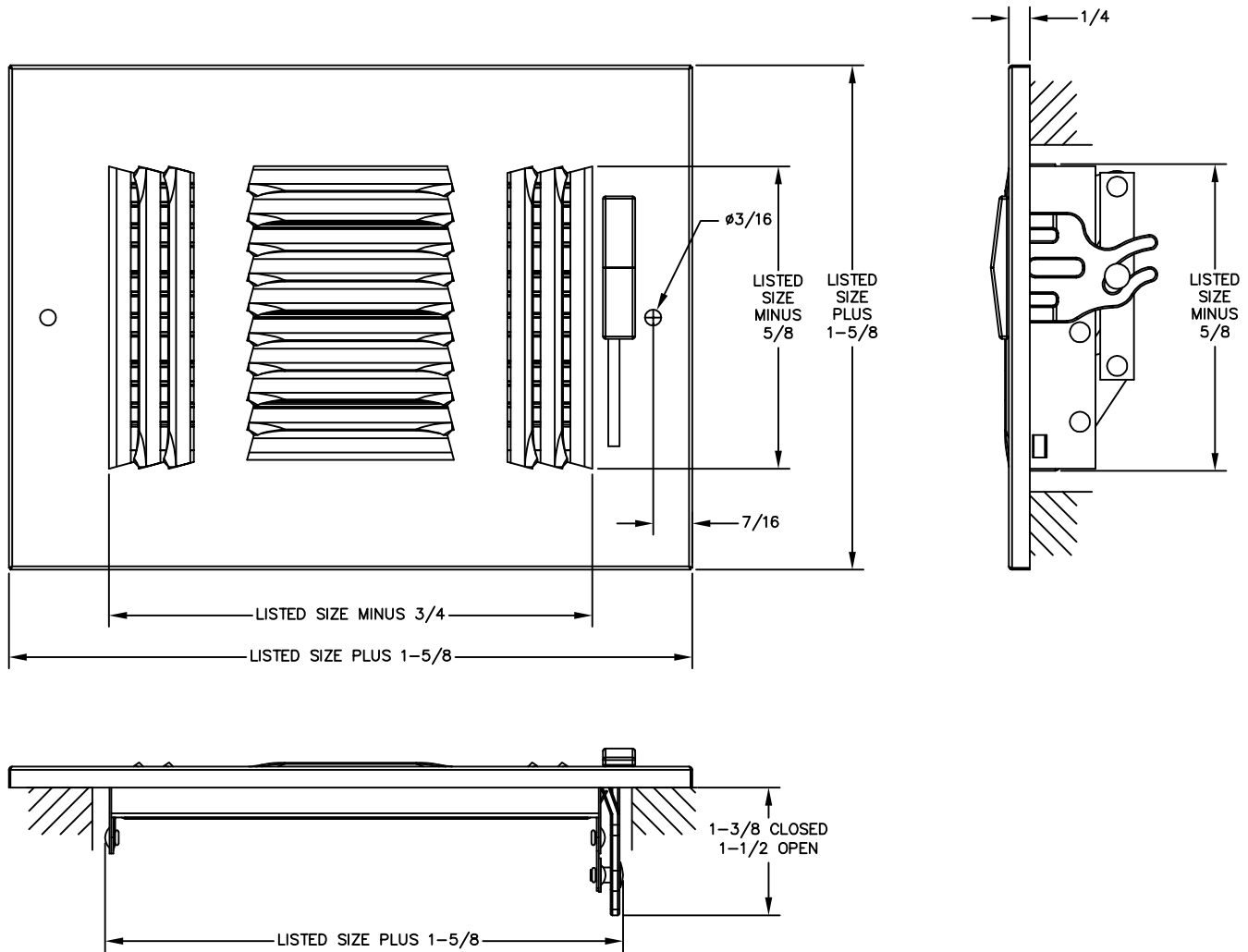


MODEL 633

SIDEWALL SUPPLY REGISTER WITH 1/3 INCH FIN SPACING

3-WAY

STANDARD INDUSTRY TOLERANCES APPLY. SPECIFICATIONS SUBJECT TO CHANGE WITHOUT NOTICE.



Model 633 is a three-way stamped straight blade ceiling or sidewall register with mounting holes. Constructed of steel with 1/3 inch fin spacing set at 45 degrees, it features a multi-louvered damper. Standard finish is white.

PROJECT: _____
 ARCHITECT: _____
 ENGINEER: _____
 CONTRACTOR: _____
 LOCATION: _____

