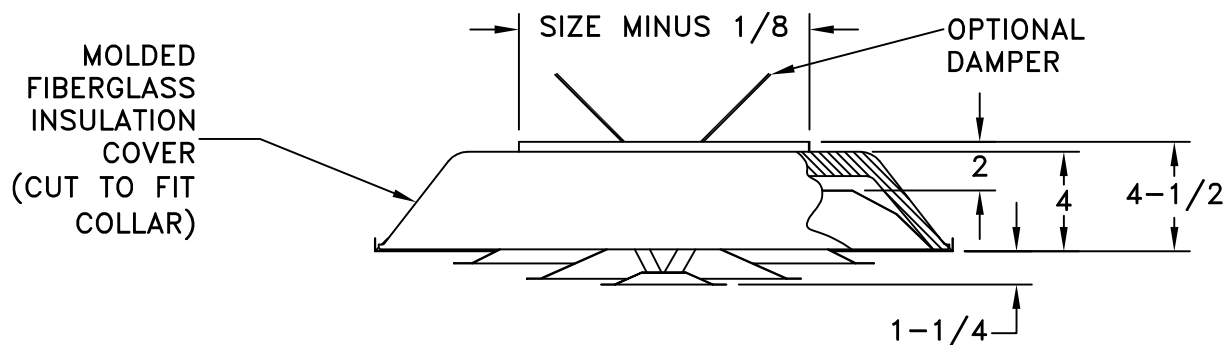
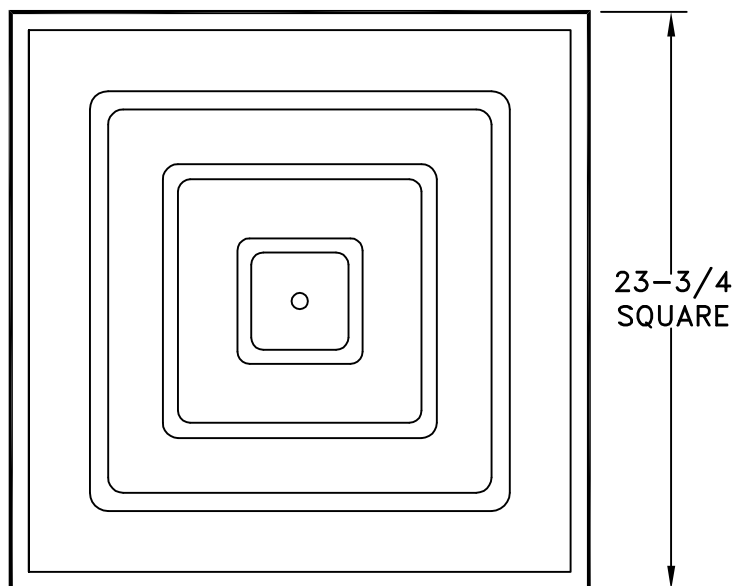


MODEL 1570

STEP DOWN CEILING DIFFUSER

4-WAY PATTERN

STANDARD INDUSTRY TOLERANCES APPLY. SPECIFICATIONS SUBJECT TO CHANGE WITHOUT NOTICE.



Model 1570 is a step down ceiling diffuser with a R-6 insulated back, A seperate model 1565 collar is required. The Model 1570 is an excellent diffuser for variable air volume applications. This design eliminates miter joints providing an attractive appearance. The Model 1570 is available in Frame 33-24 x 24 face for lay-in T-bar only. For surface mount applications use with J&J Model AL10PF surface mount frame. Optional Series R-22, R-32 and R-42 round dampers available. Steel construction. Standard finish is white.

PROJECT: _____

ARCHITECT: _____

ENGINEER: _____

CONTRACTOR: _____

LOCATION: _____

