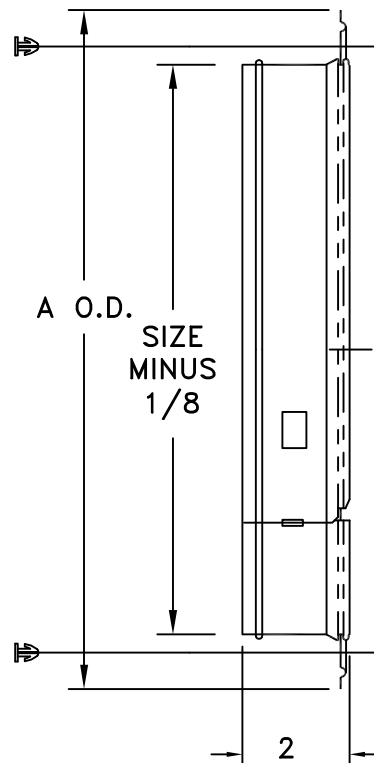
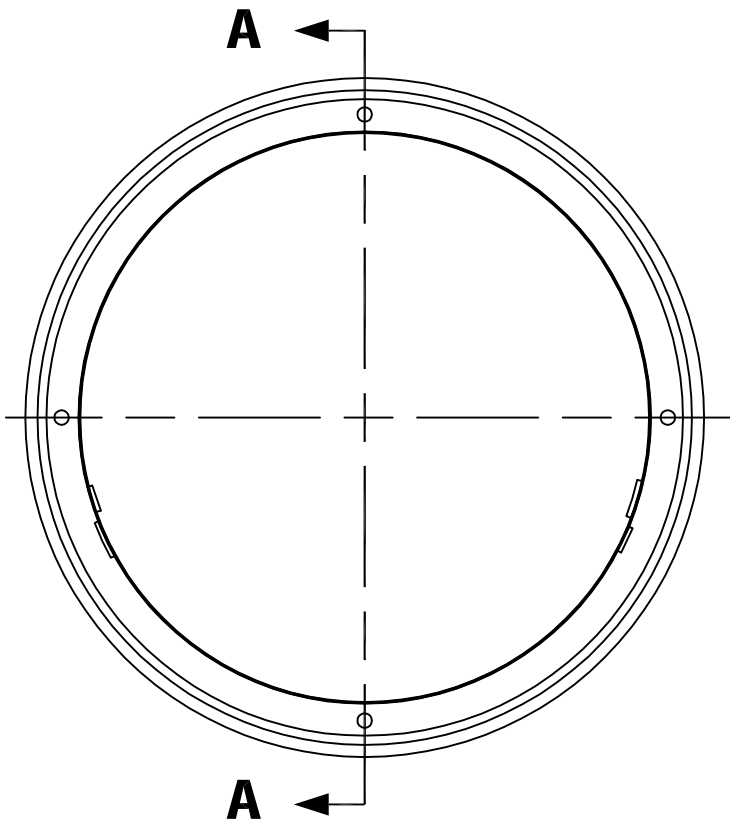


MODEL 1565

COLLAR

STANDARD INDUSTRY TOLERANCES APPLY. SPECIFICATIONS SUBJECT TO CHANGE WITHOUT NOTICE.



SECTION A-A

SIZE	A O.D.
6	14
8	14
10	14
12	14

Model 1565 collar is designed to be used with the 1560 ceiling diffuser and is attached to the insulated back panel with 4 preinstalled push pins. The O.D. equals duct size minus 1/8 and has a built-in bead for easy flex duct installation. Available in 6" - 14" diameters. Galvanized steel construction. Mill finish.

PROJECT: _____

ARCHITECT: _____

ENGINEER: _____

CONTRACTOR: _____

LOCATION: _____

