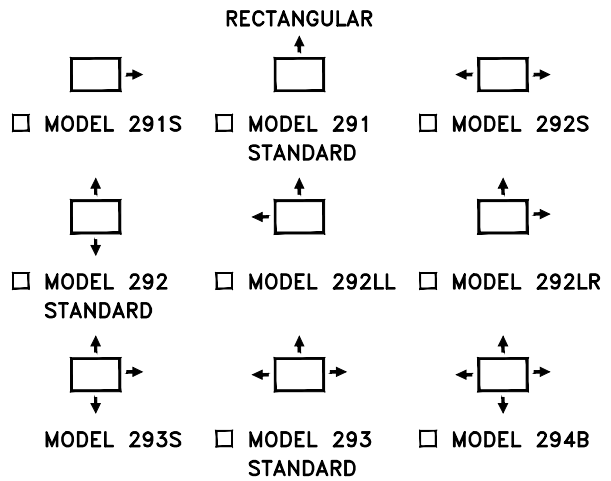
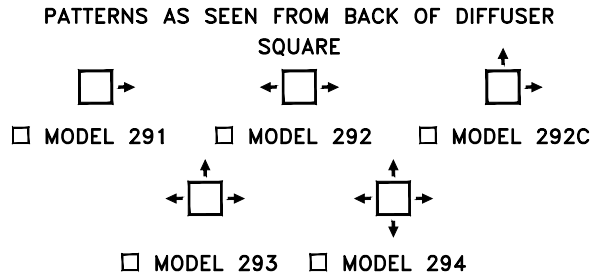
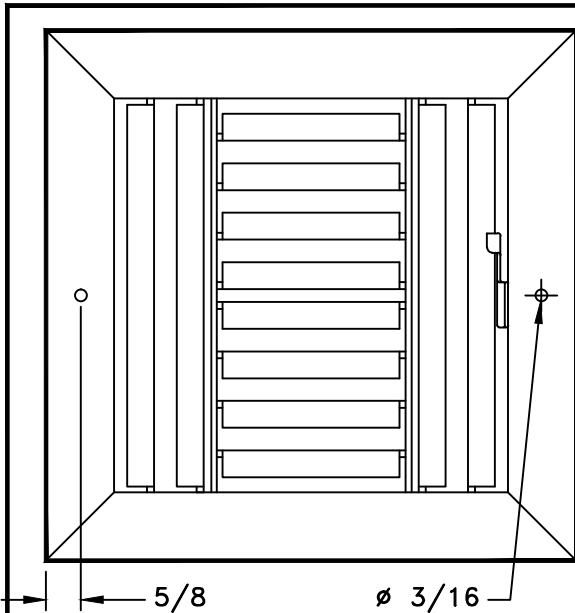


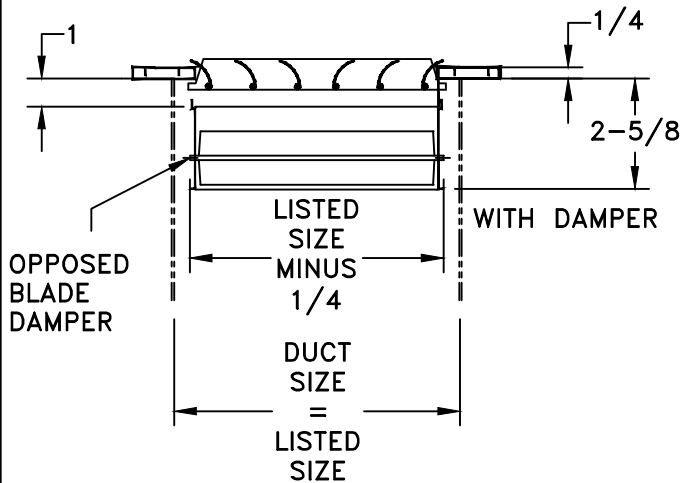
SERIES 290

CURVED BLADE CEILING DIFFUSER WITH OR WITHOUT OBD

STANDARD INDUSTRY TOLERANCES APPLY. SPECIFICATIONS SUBJECT TO CHANGE WITHOUT NOTICE.



- MODEL SERIES 290 (STEEL)
- MODEL SERIES 290-OBD (STEEL)
- MODEL SERIES 290-C-OBD (STEEL)
- MODEL SERIES 290-ML (STEEL)



Series 290 features adjustable curved blades for maximum flexibility in air distribution. Available with 1, 2, 3 or 4 way pattern deflection. Exact placement of air can be obtained by adjusting the blade settings. Damper blades are spring stiffened at both ends to permit positive setting.

Standard finish is white.

PROJECT: _____

ARCHITECT: _____

ENGINEER: _____

CONTRACTOR: _____

LOCATION: _____

