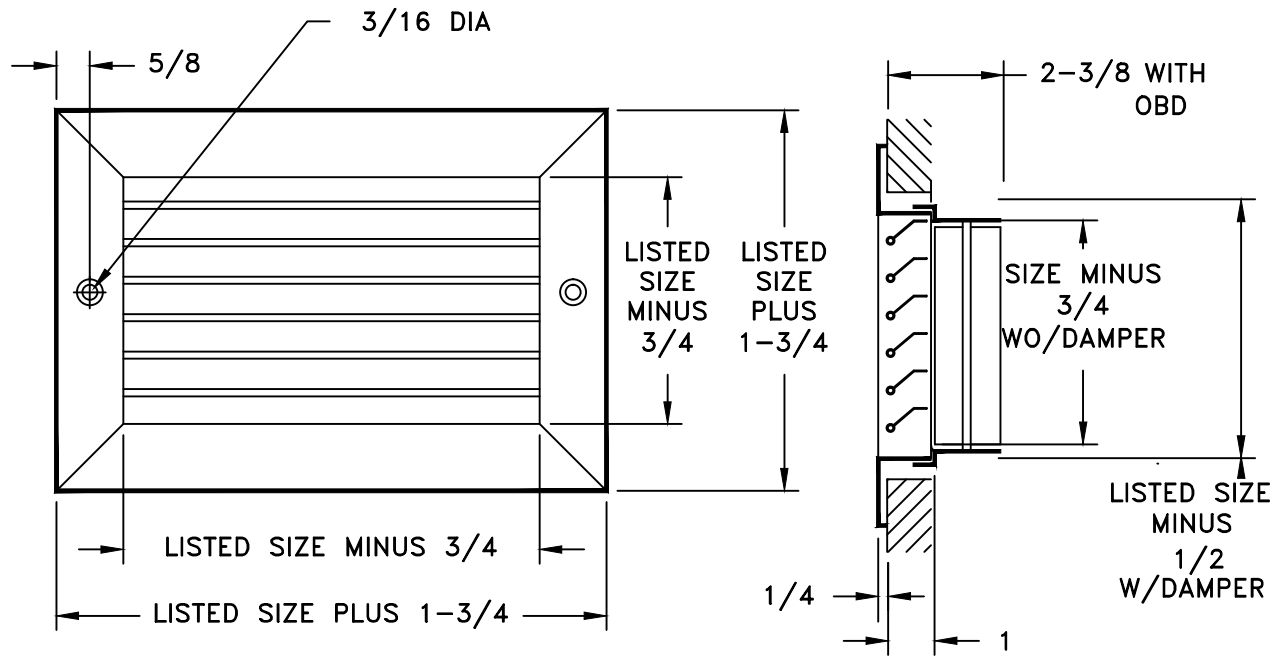


MODEL S90/ALS90

FIXED BARS ON 3/4 INCH CENTERS SET AT 35 DEGREES

BAR RETURN GRILLE

STANDARD INDUSTRY TOLERANCES APPLY. SPECIFICATIONS SUBJECT TO CHANGE WITHOUT NOTICE.



MODELS AVAILABLE

- S90H / ALS90H
- S90V / ALS90V
- S90HOB / ALS90HOB
- S90VOB / ALS90VOB

Optional Opposed Blade Damper (OBD) ensures exacting volume control by spreading air uniformly. Damper is screw driver operated. Steel or aluminum construction with steel OBD standard (aluminum AL-OBD is optional). Standard finish is white.

PROJECT: _____
 ARCHITECT: _____
 ENGINEER: _____
 CONTRACTOR: _____
 LOCATION: _____

