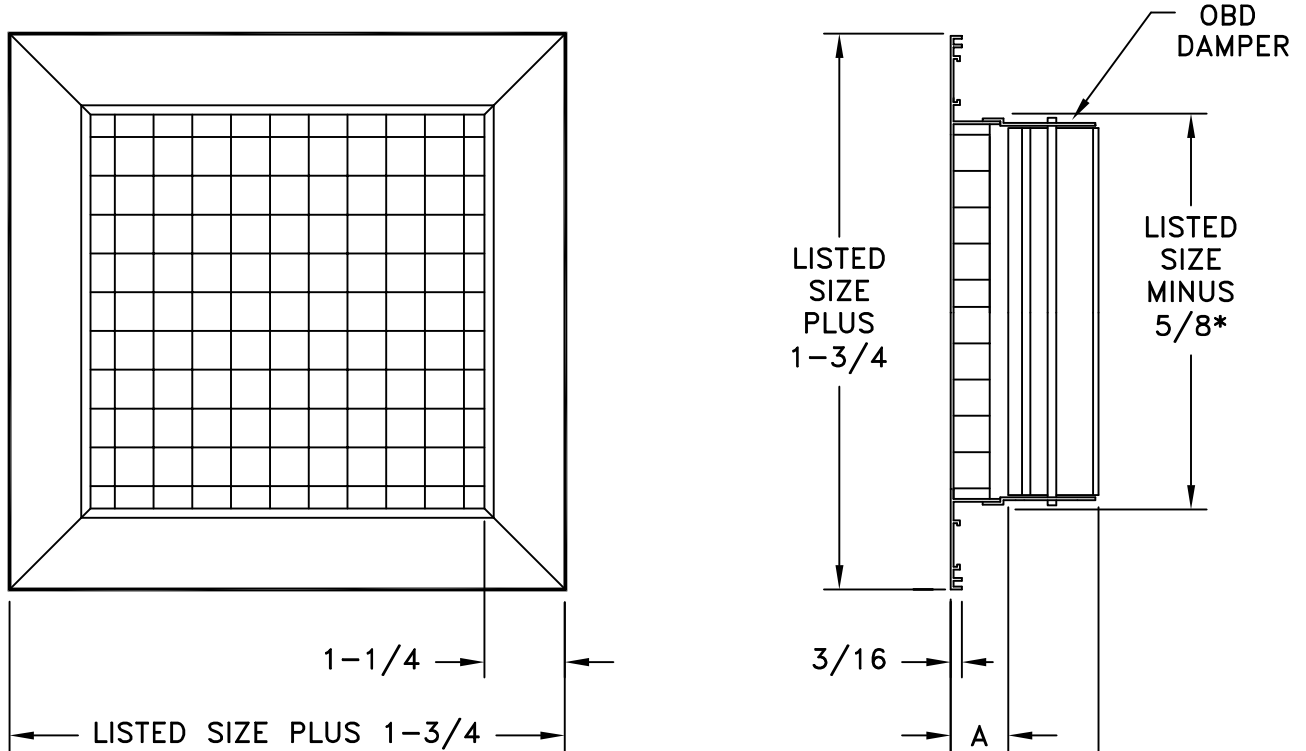


MODEL ALEC

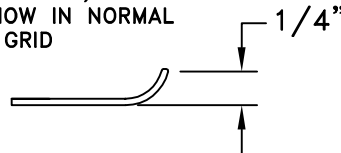
EXHAUST GRILLE FOR T-BAR CEILING

FRAME 33

STANDARD INDUSTRY TOLERANCES APPLY. SPECIFICATIONS SUBJECT TO CHANGE WITHOUT NOTICE.



*NOTE: ALEC5 22x22 LAY-IN HAS SIZE MINUS 5/16" ON CORE & HAS THE BEVEL EDGE SHOWN BELOW, BUT DOES NOT SHOW IN NORMAL T-BAR GRID



STD PANEL SIZES
12 X 12
24 X 12
24 X 24
48 X 24
48 X 48

MODEL	GRID CORE DIMENSIONS	A	B
ALEC-5	1/2x1/2x1/2	1-1/16	2-3/8
ALEC-10	1x1x1	1-9/16	2-7/8
ALEC-15	1/2x1/2x1	1-9/16	2-7/8

The Models ALEC-5, -10, -15 with frame 33 are T-bar return air grilles that have an aluminum square pattern grid providing maximum free area and minimum see through. The optional opposed blade damper (OBD) is offered in steel with aluminum as another option. Standard finish is white.

PROJECT: _____

ARCHITECT: _____

ENGINEER: _____

CONTRACTOR: _____

LOCATION: _____

