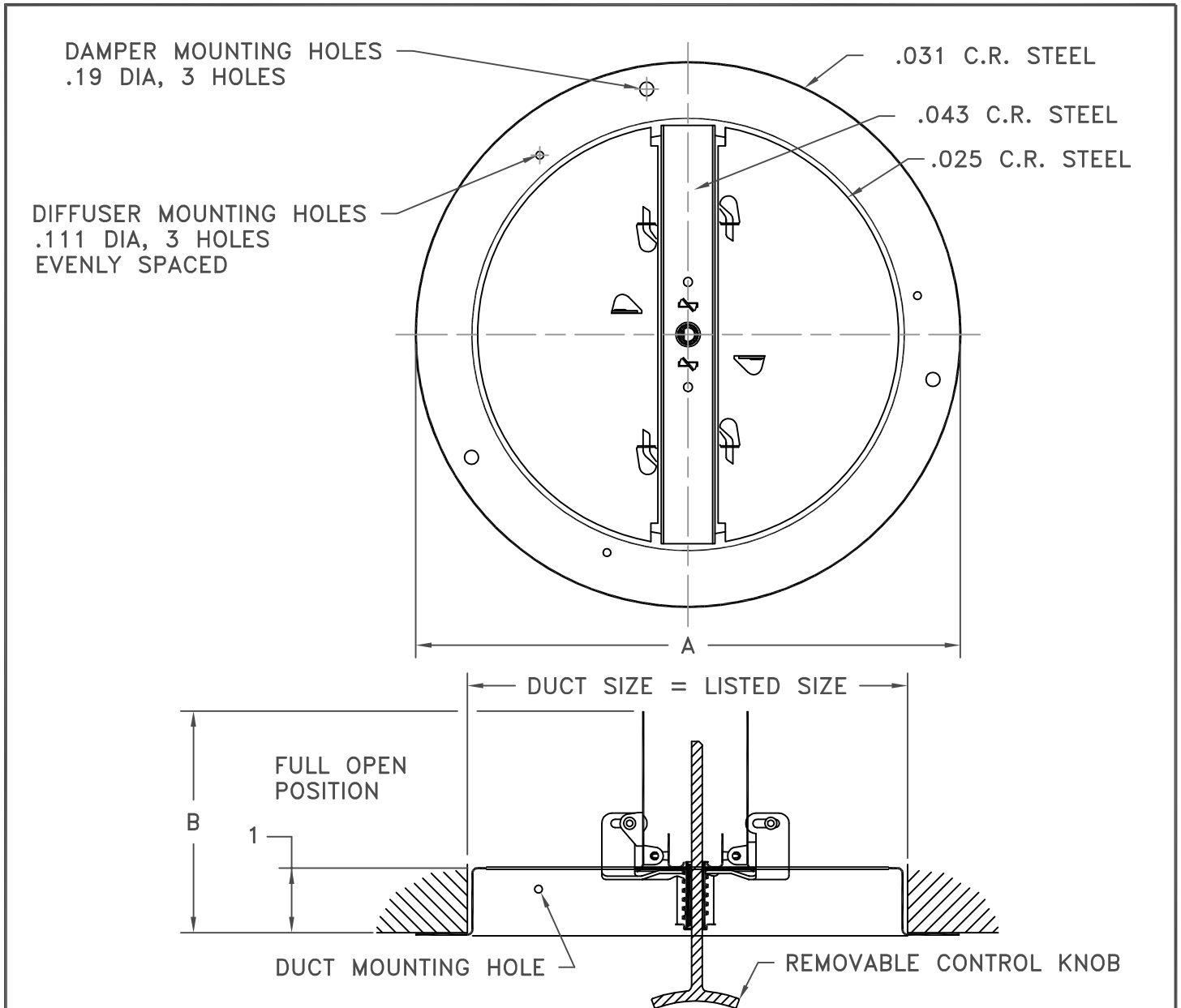


MODEL 155 BUTTERFLY DAMPER

STANDARD INDUSTRY TOLERANCES APPLY. SPECIFICATIONS SUBJECT TO CHANGE WITHOUT NOTICE.



SIZE	A	B
6	7-1/2	3-11/16
8	9-1/2	4-11/16
10	10-7/8	5-11/16
12	12-7/8	6-11/16
14	14-7/8	7-11/16
18	18-13/16	9-11/16

Model 155 round butterfly damper is designed to be used with model 150 round ceiling diffusers. Model 155 adjustments are easily made from the face of the diffuser with a removable knob operator that is included. Available 6" -18". Steel construction. Standard finish is brown.

PROJECT: _____

ARCHITECT: _____

ENGINEER: _____

CONTRACTOR: _____

LOCATION: _____

