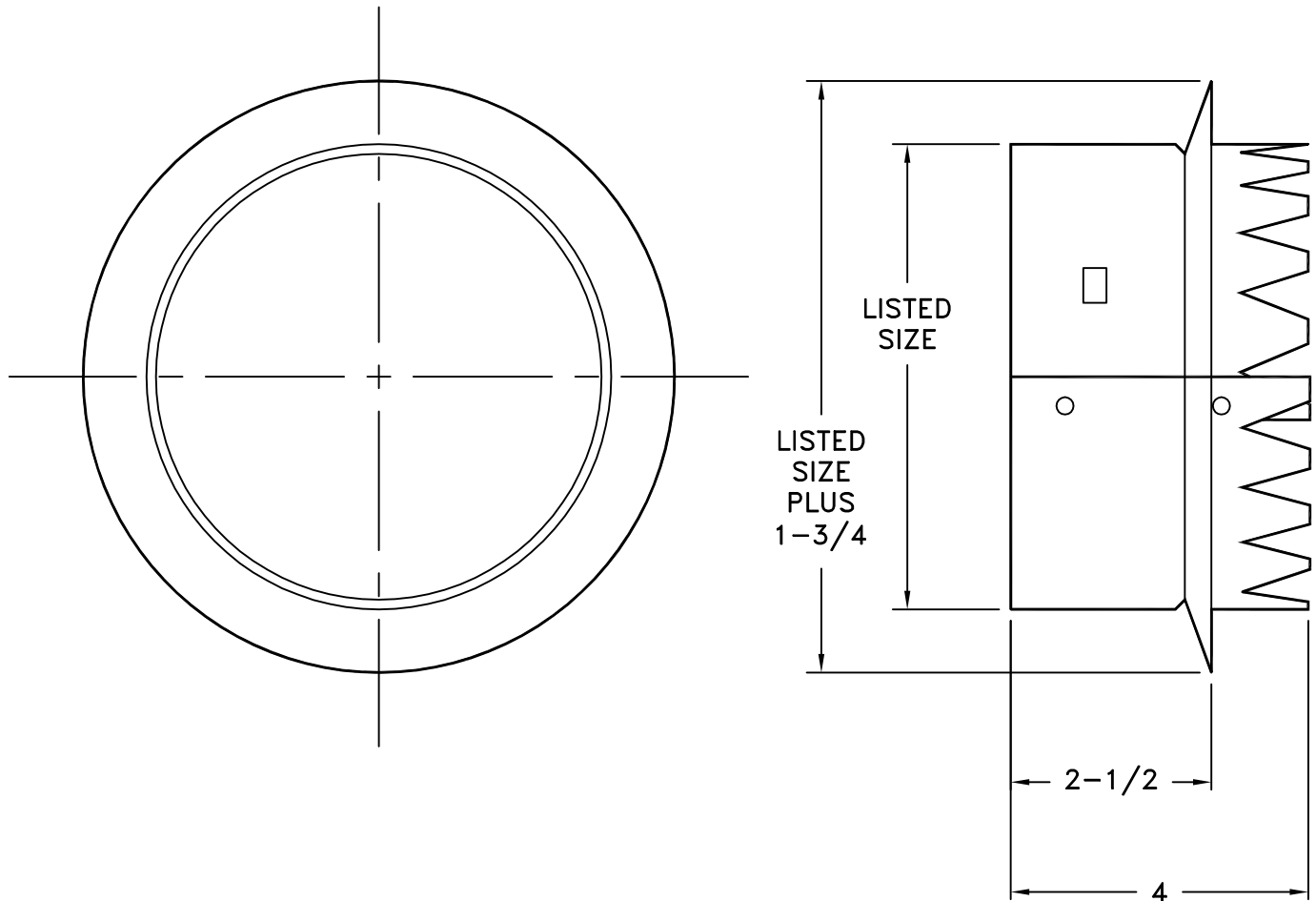


# MODEL R12

## SPIN-IN COLLAR

STANDARD INDUSTRY TOLERANCES APPLY. SPECIFICATIONS SUBJECT TO CHANGE WITHOUT NOTICE.



The Model R12 Spin-In Collar is designed for use on molded fiberglass and duct board backs. This galvanized collar accepts R22, R32 and R42 round neck dampers. Available sizes are 6, 8, 10, 12 and 14-inch diameters.

PROJECT: \_\_\_\_\_

ARCHITECT: \_\_\_\_\_

ENGINEER: \_\_\_\_\_

CONTRACTOR: \_\_\_\_\_

LOCATION: \_\_\_\_\_

