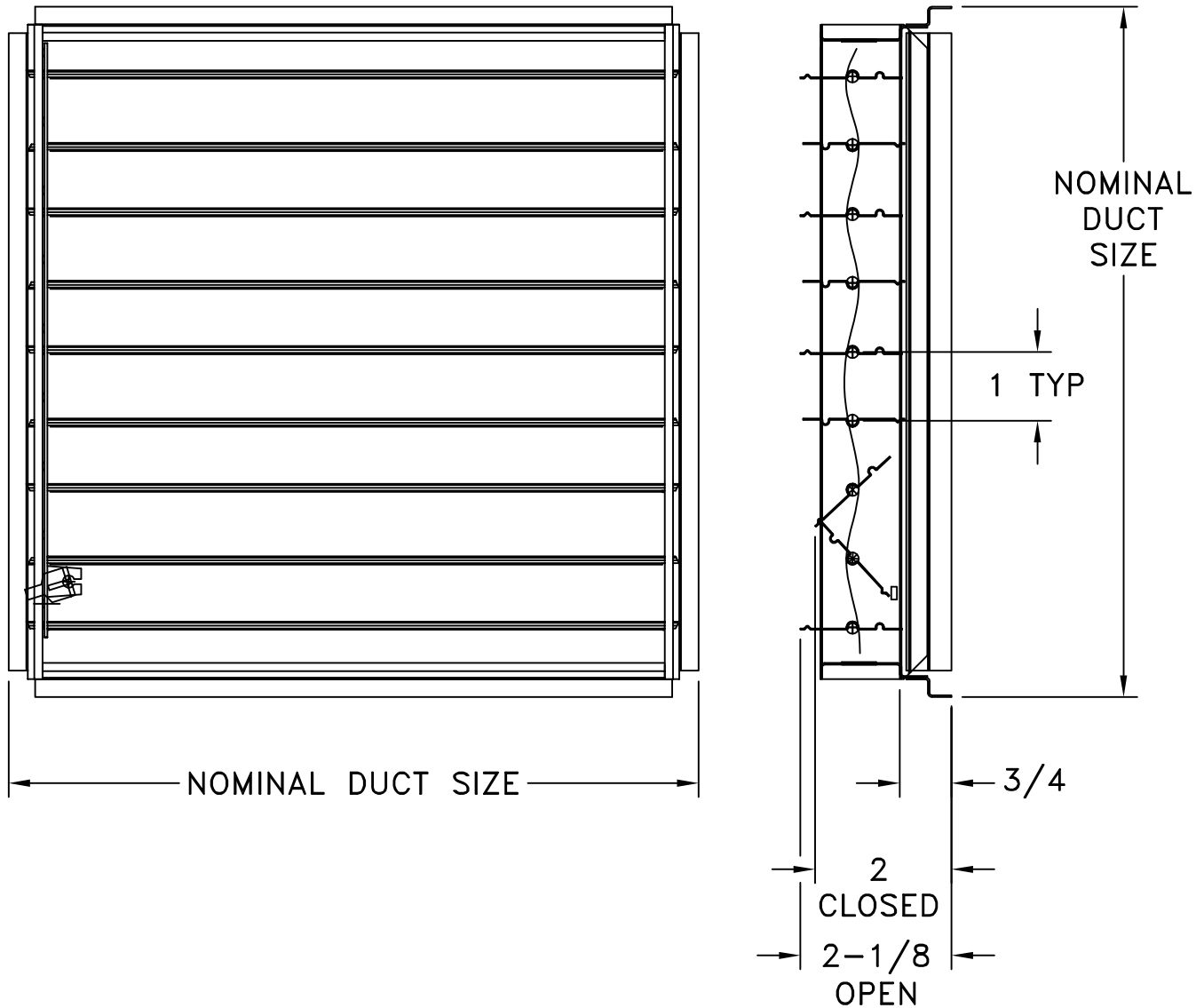


# MODEL OBD-14

## STEEL OPPOSED BLADE DAMPER

### FOR 1400 SERIES

STANDARD INDUSTRY TOLERANCES APPLY. SPECIFICATIONS SUBJECT TO CHANGE WITHOUT NOTICE.



Model OBD-14 is used to control air flow at the diffuser. Duct mount ONLY if ordered separately. Available in 3 inch increments from 6 x 6 to 24 x 24. Must remove core with flat screwdriver. Steel construction. Standard finish is white.

PROJECT: \_\_\_\_\_

ARCHITECT: \_\_\_\_\_

ENGINEER: \_\_\_\_\_

CONTRACTOR: \_\_\_\_\_

LOCATION: \_\_\_\_\_

