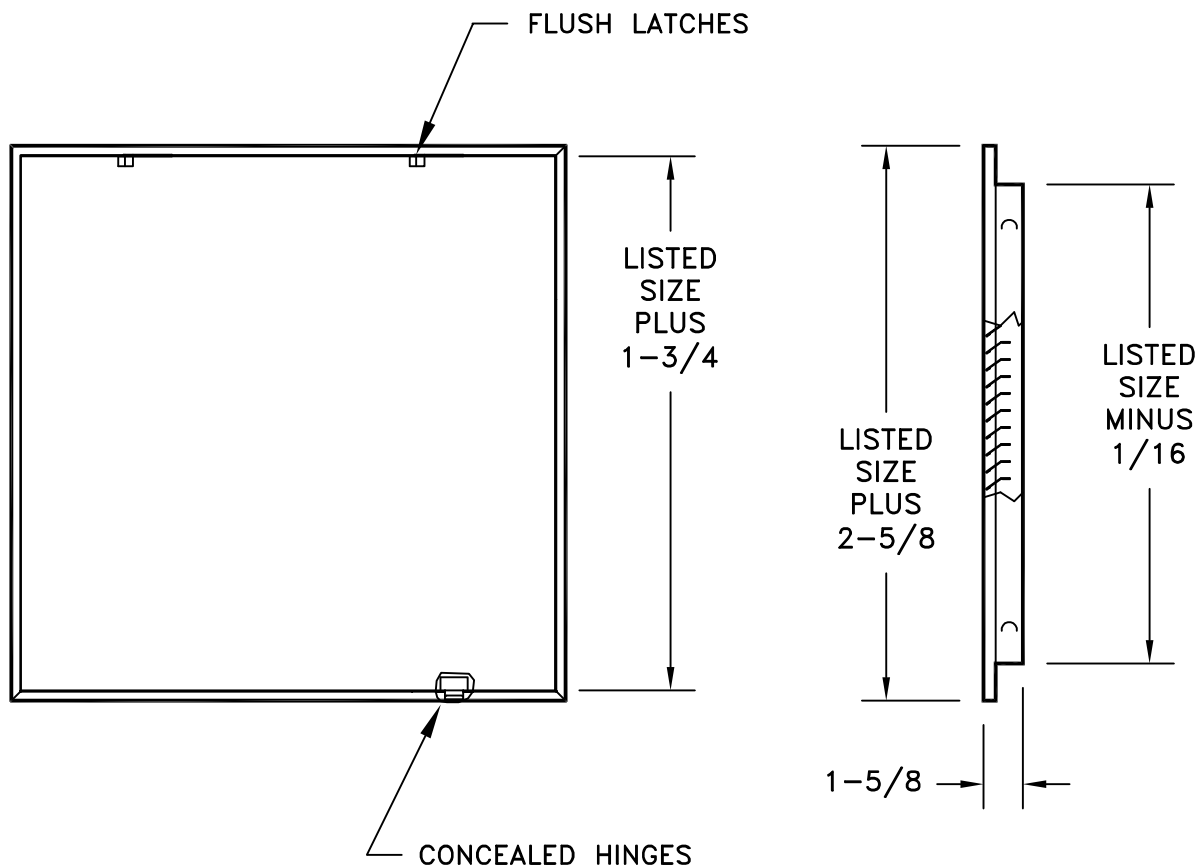


# MODEL LAD-ACCESS DOOR

STANDARD INDUSTRY TOLERANCES APPLY. SPECIFICATIONS SUBJECT TO CHANGE WITHOUT NOTICE.



Model LAD has a removable stamped face with concealed latches and hinges. Finish: White (W)  
 Available Sizes—6X6,8X8,10X10,12X12,14X14,16X16,24X24  
 Face is 22 Gauge. The Frame is 24 Gauge

PROJECT: \_\_\_\_\_  
 ARCHITECT: \_\_\_\_\_  
 ENGINEER: \_\_\_\_\_  
 CONTRACTOR: \_\_\_\_\_  
 LOCATION: \_\_\_\_\_

**Lima**®