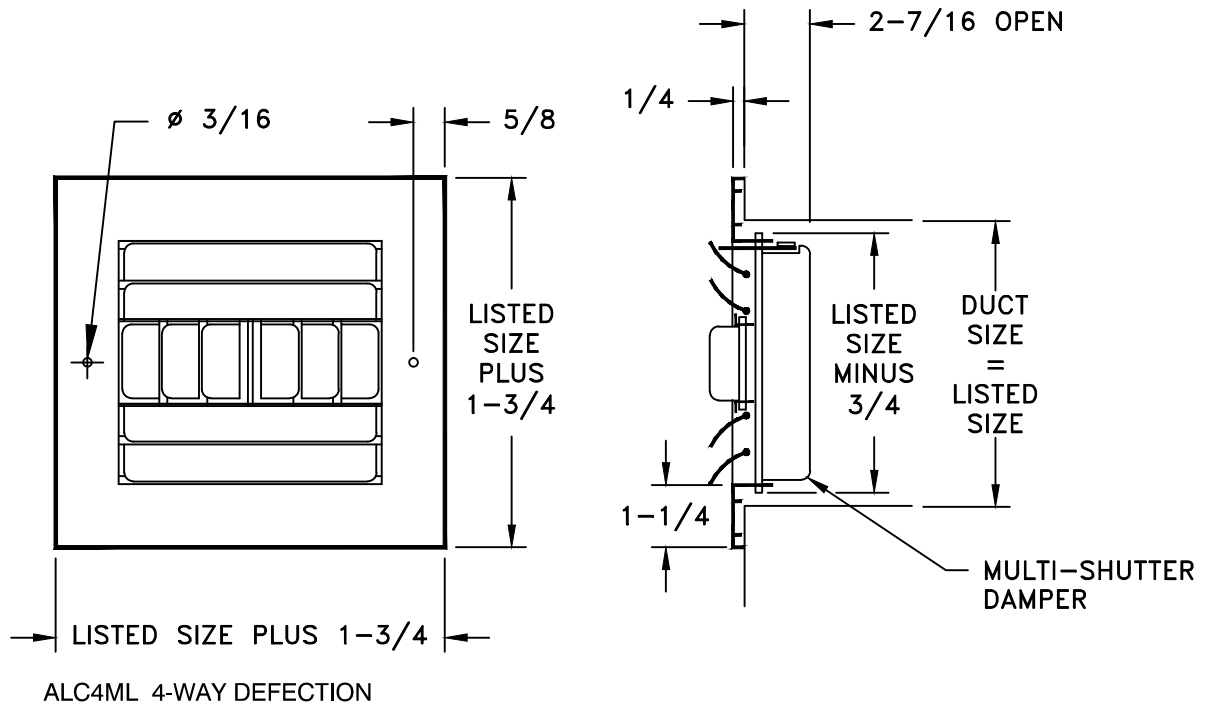


SERIES ALC1ML, ALC2ML, ALC3ML, ALC4ML

CURVED BLADE EXTRUDED ALUMINUM REGISTERS

STANDARD INDUSTRY TOLERANCES APPLY. SPECIFICATIONS SUBJECT TO CHANGE WITHOUT NOTICE.



ALC1ML

ALC3ML

ALC2ML

ALC4ML

These extruded aluminum adjustable curved blade registers are available in 1-, 2-, 3-, and 4-way deflections. This series has the multi-louver damper. White (WHT) or clear anodized (CLR) finishes are available. Z-Frame available special order only.

PROJECT: _____
 ARCHITECT: _____
 ENGINEER: _____
 CONTRACTOR: _____
 LOCATION: _____

