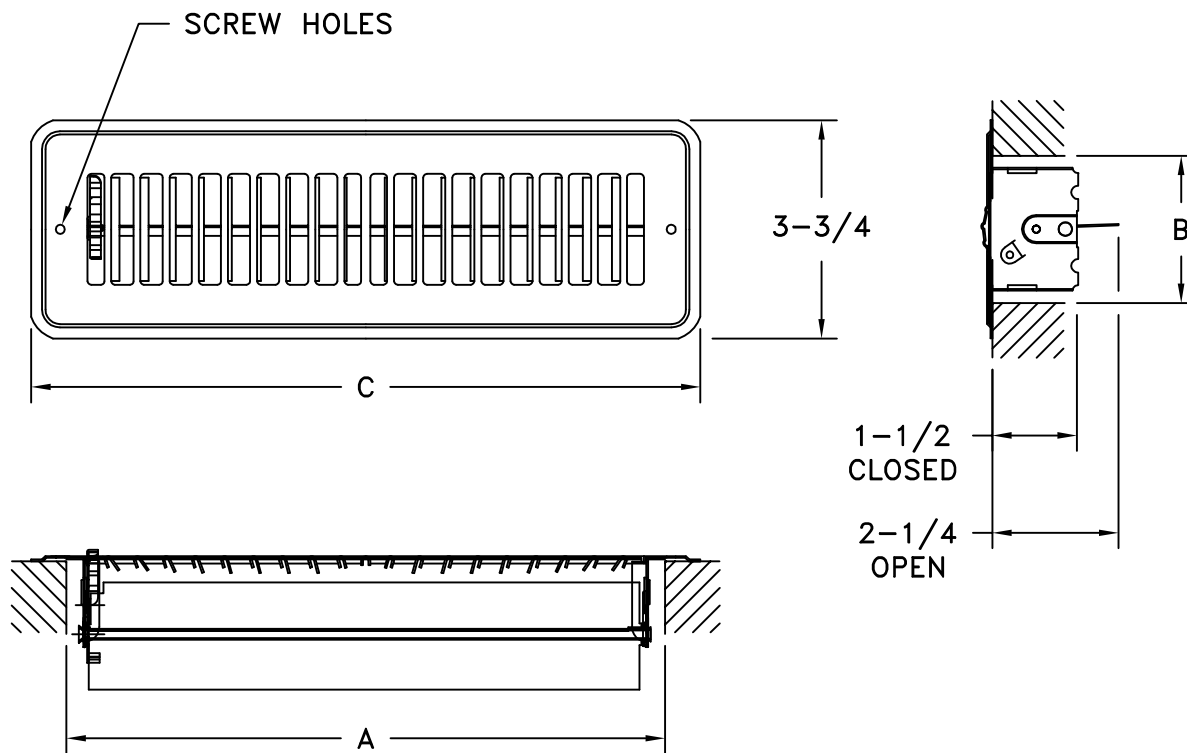


MODEL 800 WSH

STEEL DIFFUSER

STANDARD INDUSTRY TOLERANCES APPLY. SPECIFICATIONS SUBJECT TO CHANGE WITHOUT NOTICE.



SIZE			FREE AREA SQ.IN.	C
A	X	B		
10	X	2	15	11-1/2
12	X	2	17	13-1/2
14	X	2	20	15-1/2

The model 800 WSH is a heavy gage stamped straight blade register that features a cam operated damper and screw mounting holes. Steel construction. Standard finish is brown

PROJECT: _____

ARCHITECT: _____

ENGINEER: _____

CONTRACTOR: _____

LOCATION: _____

