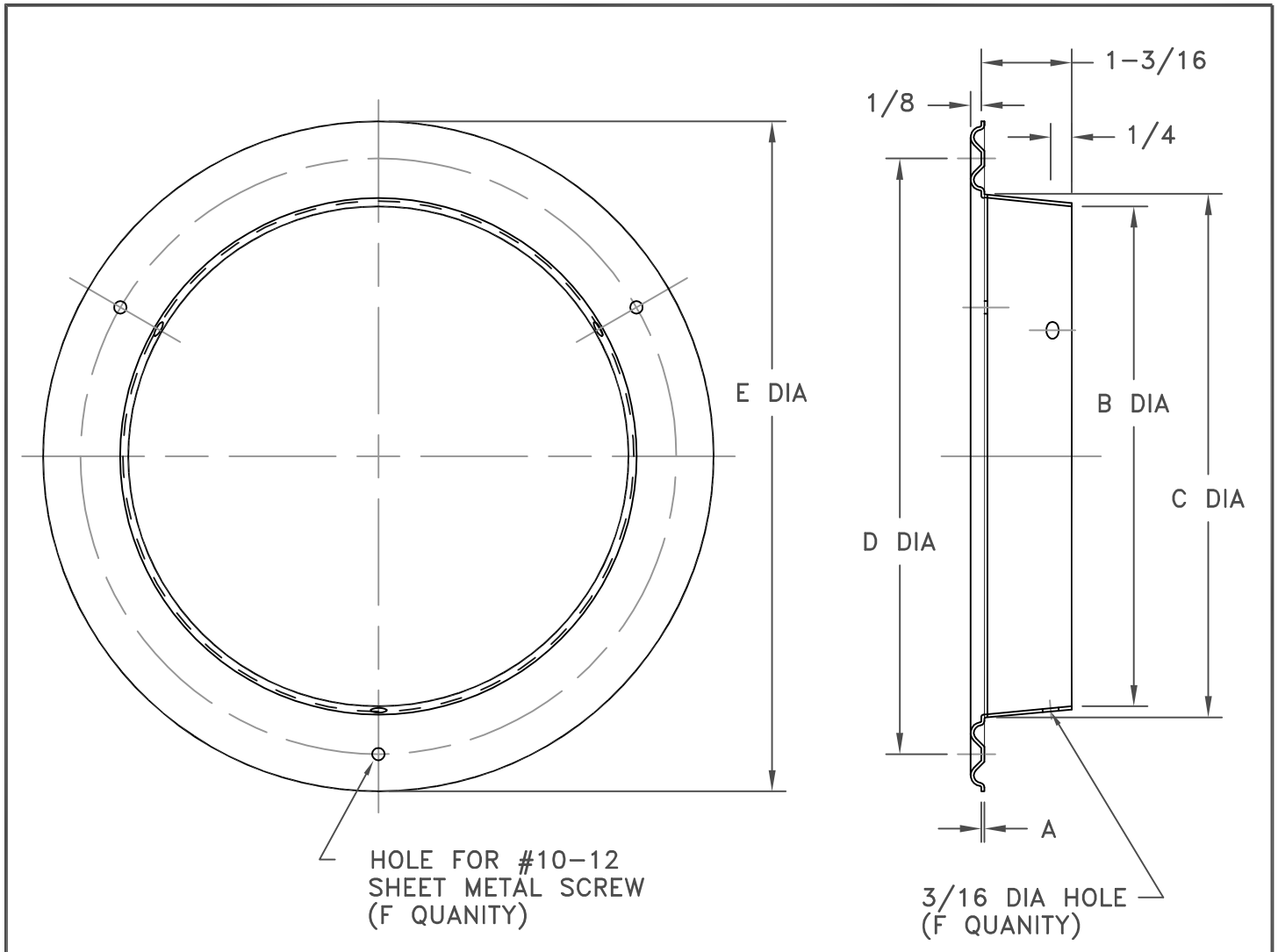


MODEL R35

DUCT MOUNTING RING

FOR NO. 1600 DIFFUSER

STANDARD INDUSTRY TOLERANCES APPLY. SPECIFICATIONS SUBJECT TO CHANGE WITHOUT NOTICE.



UNIT SIZE	A DIM	B DIM	C DIA	D DIA	E DIA	F QTY
6	.037	5-7/8	6	7	7-7/8	3
8	.050	7-7/8	8	9	9-7/8	3
10	.050	9-7/8	10	11	11-7/8	3
12	.050	11-7/8	12	13	13-7/8	6
14	.050	13-7/8	14	15	15-7/8	6
16	.050	15-7/8	16	17	17-7/8	6
18	.050	17-7/8	18	19	19-7/8	6

Pre-drilled mounting holes allows duct ring to be easily attached to duct.

PROJECT: _____
 ARCHITECT: _____
 ENGINEER: _____
 CONTRACTOR: _____
 LOCATION: _____

