

SERIES AL2500

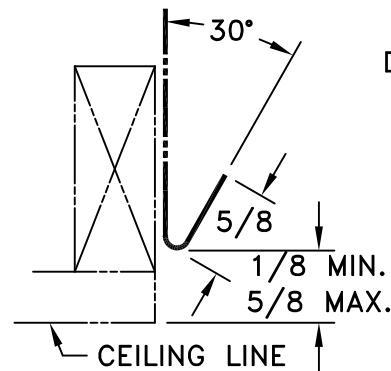
LINEAR DIFFUSER

MOUNTING STYLE 1

CONCEALED HANGER BRACKET

STANDARD INDUSTRY TOLERANCES APPLY. SPECIFICATIONS SUBJECT TO CHANGE WITHOUT NOTICE.

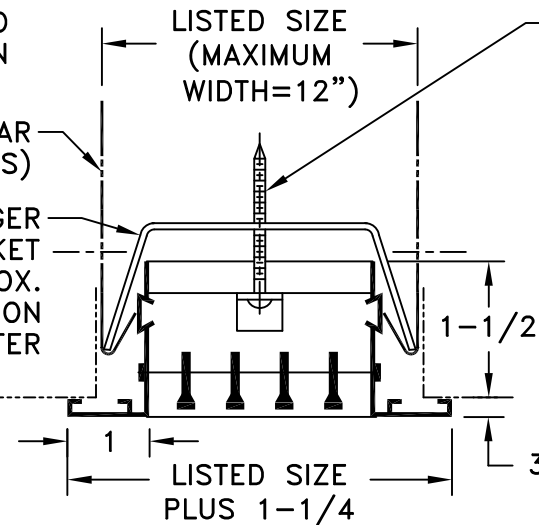
CONTRACTOR TO FRAME OPENING TO INSURE STRAIGHT LINE INSTALLATION



DETAIL OF HEMMED EDGE OF DUCT (BY OTHERS)

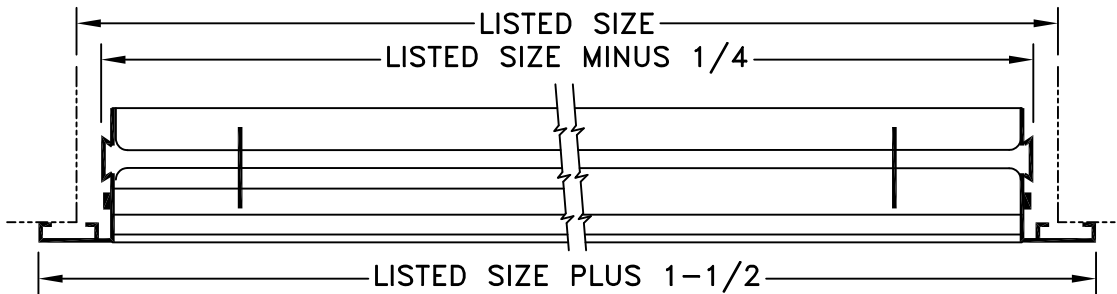
DUCT COLLAR (BY OTHERS)

HANGER BRACKET APPROX. 15" ON CENTER

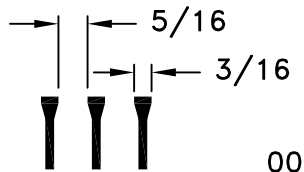


MOUNTING SCREW CAPTIVE TYPE ONE SCREW REQ'D ON LISTED WIDTHS OF 2" TO 3" TWO SCREWS REQ'D ON LISTED WIDTHS OF 3-1/2" TO 12"

MOUNTING STYLE 1 CEILING



FACE BARS - 1/2 INCH CENTERS



THIS BAR STYLE ONLY WHEN USING MOUNTING STYLE 1.

Series AL2500 linear diffusers are designed for use in ceiling, sill or floor where a continuous linear line effect is required. Series AL2500 has grille bars on 1/2" centers set at 0°, 15° or 30° deflections. Pencil proof spacing available. Maximum one-piece construction is six (6) feet. Longer sections butted together. Width dimension in 1/2" increments only. Yoke hanger available for sizes 2 through 12 inch only. For damper dimensions see submittal drawing 106.5. Extruded aluminum construction. Standard finish is white (WHT) or Satin Anodized (CLR).

PROJECT: _____
 ARCHITECT: _____
 ENGINEER: _____
 CONTRACTOR: _____
 LOCATION: _____

