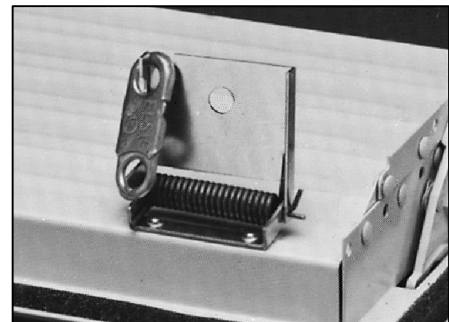
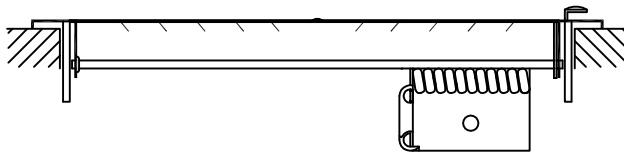
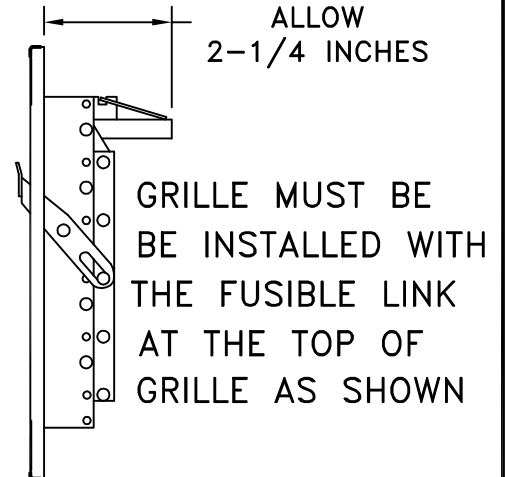
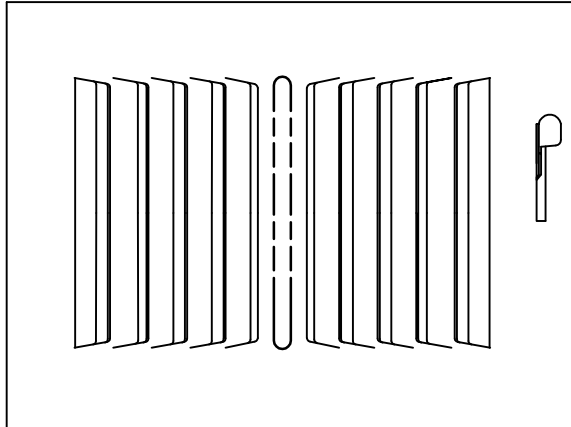


FUSIBLE LINK MFL

STEEL MULTI-LOUVER DAMPER

STANDARD INDUSTRY TOLERANCES APPLY. SPECIFICATIONS SUBJECT TO CHANGE WITHOUT NOTICE.



The Lima factory installed fusible link damper will close at 165 degrees F. This product is available on select registers with multi-louver dampers. Allow a minimum of 2-1/4 inches behind the mounting surface for proper fusible link operation.

The fusible link damper assemblies are NOT U.L. listed fire or smoke dampers. However, the fusible link is a UL listed component.

PROJECT: _____

ARCHITECT: _____

ENGINEER: _____

CONTRACTOR: _____

LOCATION: _____

