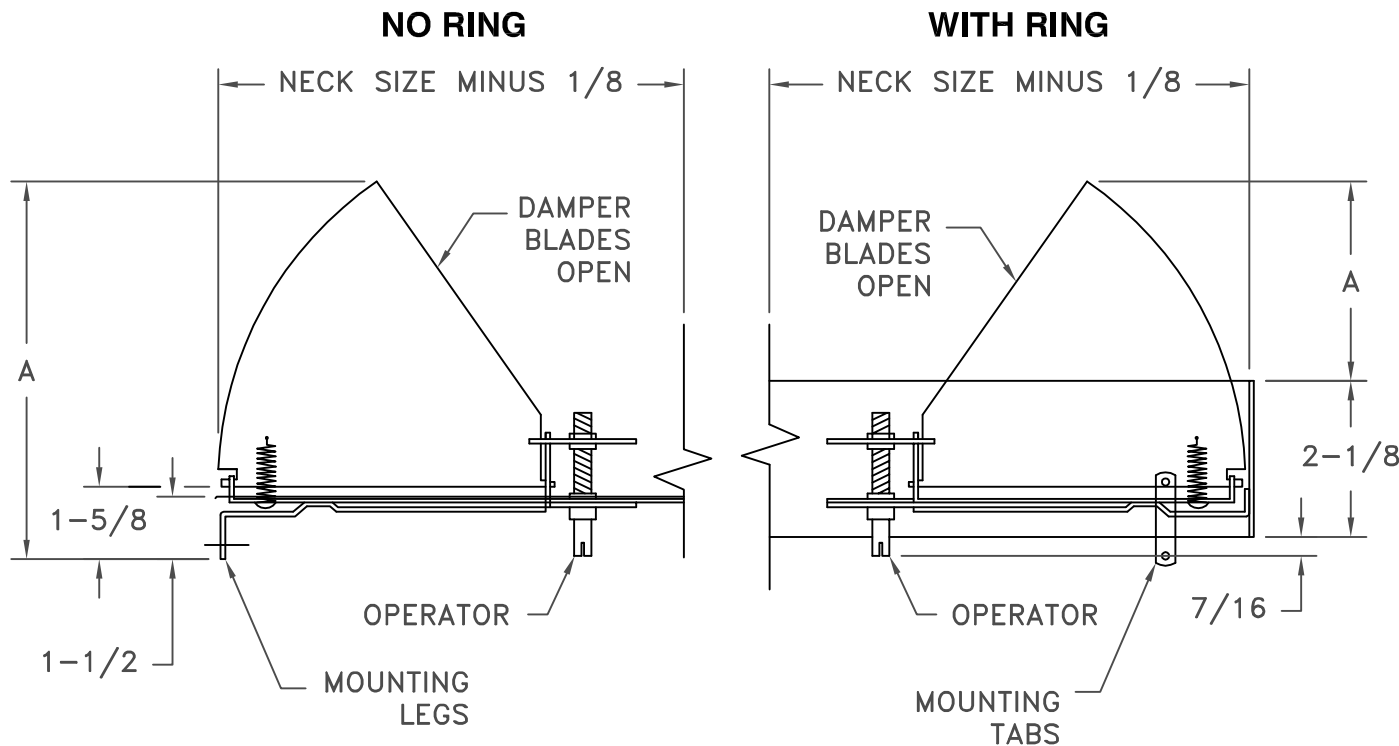


MODEL R-32

RADIAL OPPOSED BLADE DAMPER

STANDARD INDUSTRY TOLERANCES APPLY. SPECIFICATIONS SUBJECT TO CHANGE WITHOUT NOTICE.



SIZE	A
6	4-1/4
7	4-11/16
8	5-1/8
10	6
12	6-7/8

SIZE	A
14	2-11/16
15	3
16	3-7/16
18	4-1/8
20	4-13/16
24	4-9/16
30	6-1/16
36	7-9/16

Model R-32 dampers feature gang operated radial blades that move in right angles to the air flow to regulate air volume. A flat configuration with no adapter ring enables the damper to be mounted flush with the neck of diffuser. Adjustments are easily made from the face of the diffuser with a screwdriver. Available in 6" thru 36". Steel construction. Mil Finish.

PROJECT: _____

ARCHITECT: _____

ENGINEER: _____

CONTRACTOR: _____

LOCATION: _____

