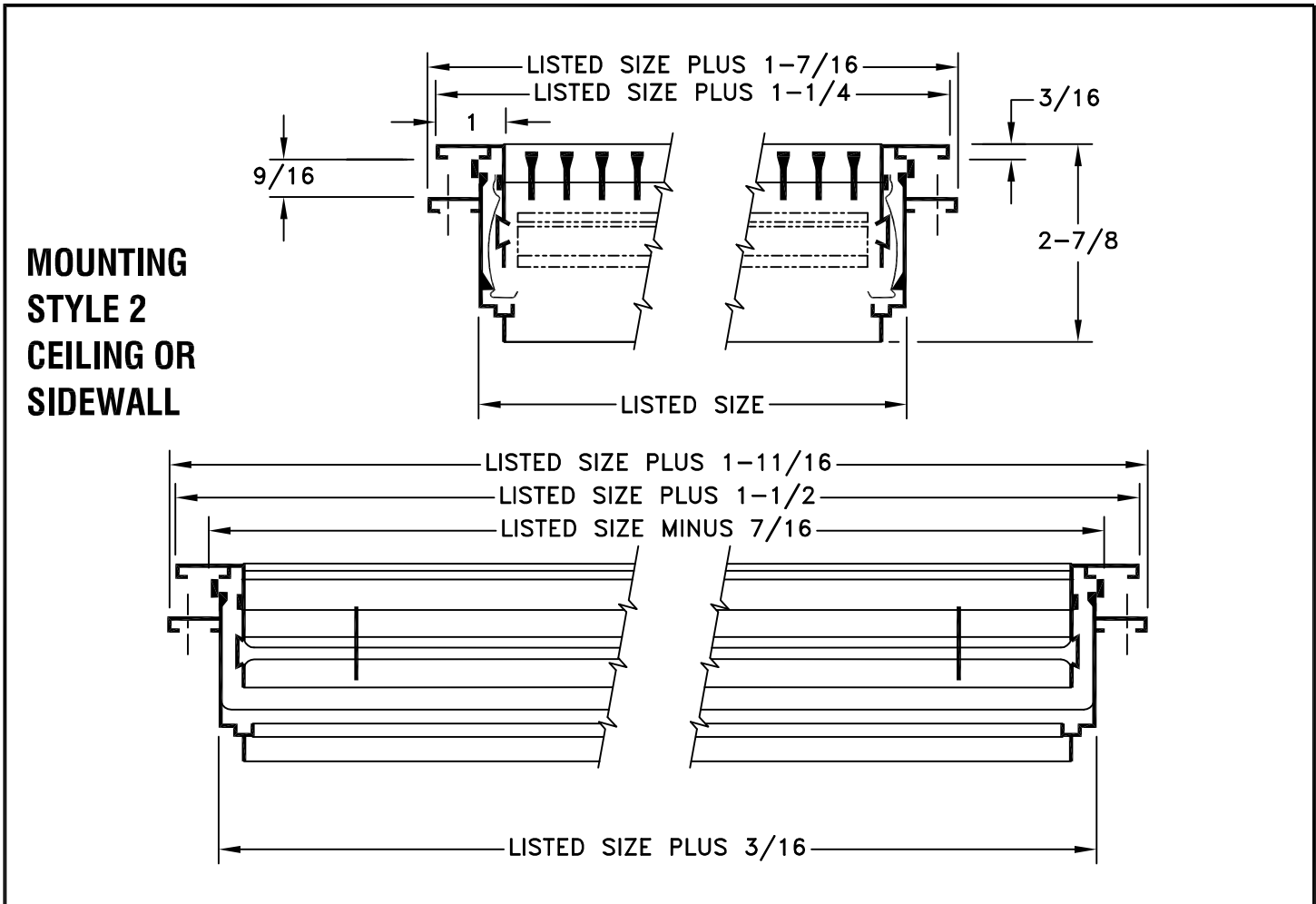


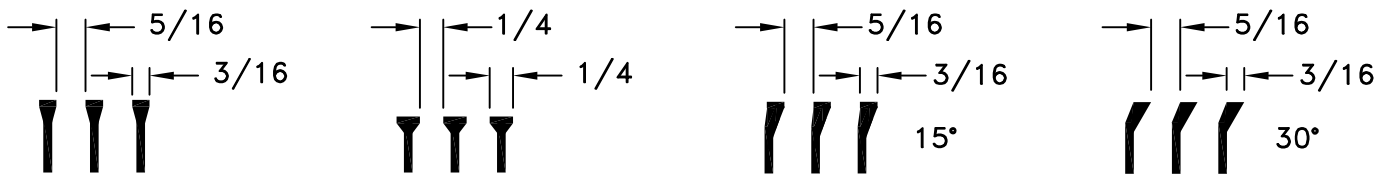
**SERIES AL2500**  
LINEAR DIFFUSER

**MOUNTING STYLE 2**  
**MOUNTING FRAME**

STANDARD INDUSTRY TOLERANCES APPLY. SPECIFICATIONS SUBJECT TO CHANGE WITHOUT NOTICE.



**FACE BARS - 1/2 INCH CENTERS**



Series AL2500 linear diffusers are designed for use in ceiling, sill or floor where a continuous linear line effect is required. Series AL2500 has grille bars on 1/2" centers set at 0°, 15° or 30° deflections. Pencil proof spacing available. Maximum one-piece construction is six (6) feet. Longer sections butted together. Width dimension in 1/2" increments only. For damper dimensions see submittal drawing 106.5. Extruded aluminum construction. Standard finish is white (WHT) or Satin Anodized (CLR).

PROJECT: \_\_\_\_\_  
 ARCHITECT: \_\_\_\_\_  
 ENGINEER: \_\_\_\_\_  
 CONTRACTOR: \_\_\_\_\_  
 LOCATION: \_\_\_\_\_

