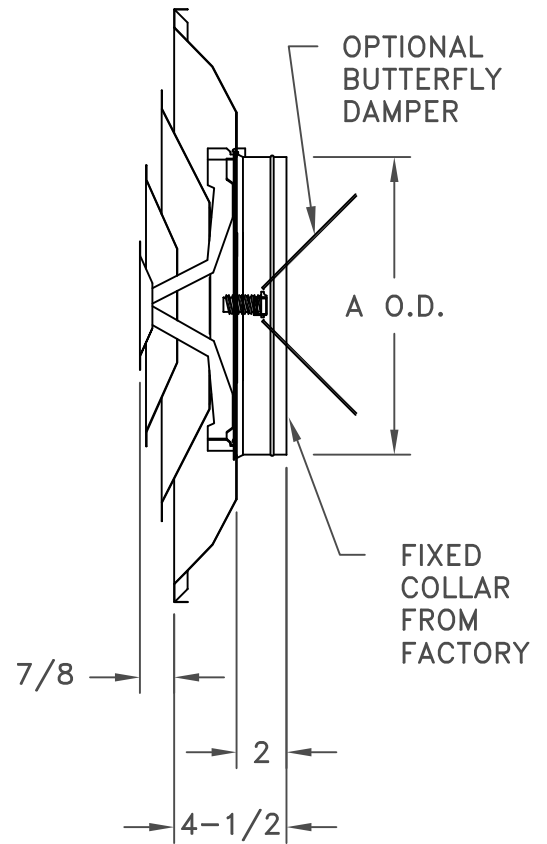
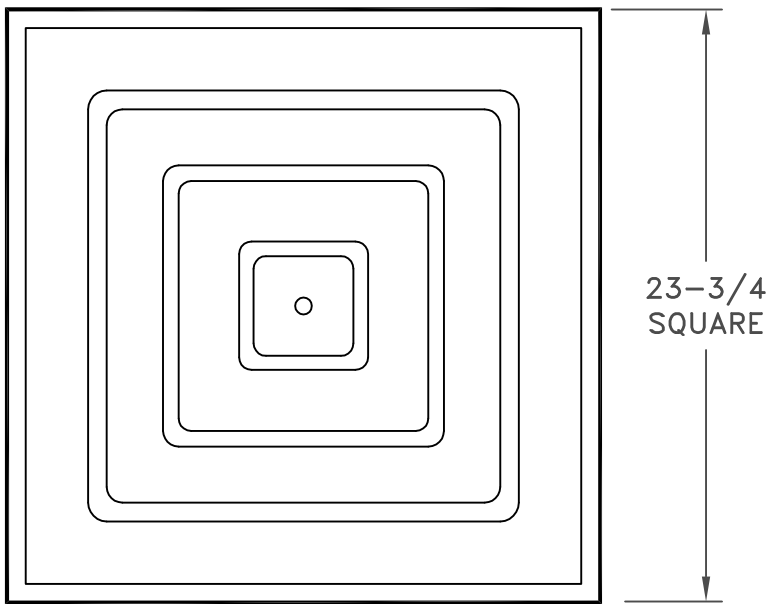


- ALL STEEL CONSTRUCTION/ OPTIONAL ALUMINUM CONSTRUCTION AL1520
- FITS STANDARD 2' X 2' T-BAR CEILING SYSTEMS
- OPTIONAL R-22 STEEL BUTTERFLY DAMPER
- AVAILABLE IN 6-14 INCH COLLAR SIZES
- FINISH: WHITE (W) ENAMEL



SIZE	A O.D.
6	5-7/8
8	7-7/8
10	9-7/8
12	11-7/8
14	13-7/8

JOB NAME: _____	SUBMITTED BY: _____	DATE: 05/13	PG 58.1
LOCATION: _____		<b>1520/AL1520</b>	
ARCHITECT: _____		Steel/ALUMINUM	
ENGINEER: _____		High Volume Ceiling Diffuser	
CONTRACTOR: _____			