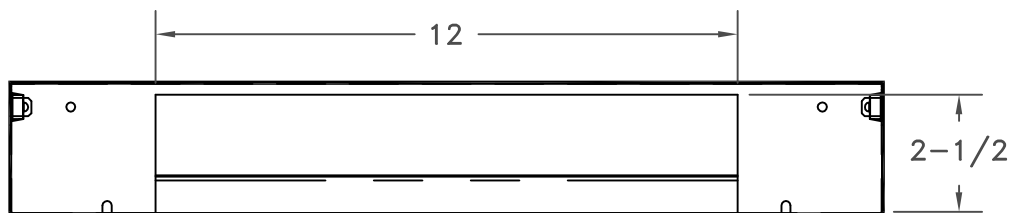
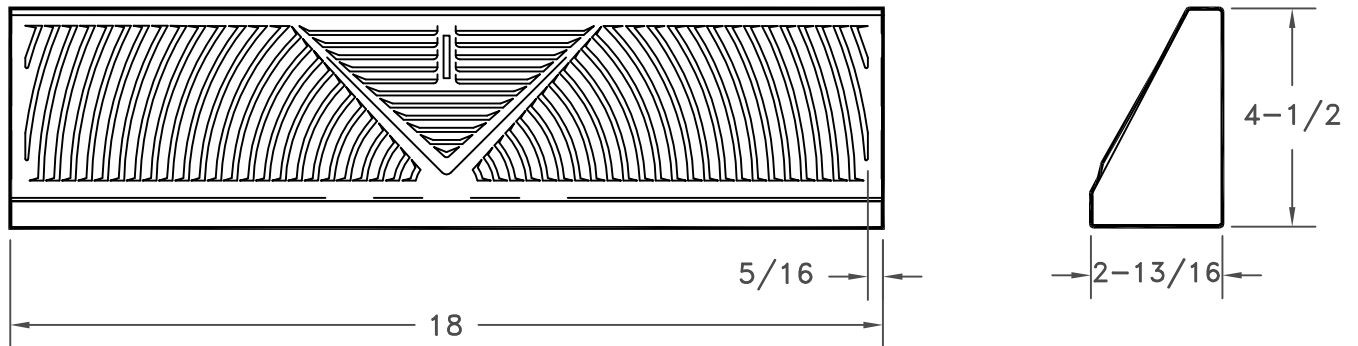


MODEL 471

STEEL

BASEBOARD RETURN GRILLE

STANDARD INDUSTRY TOLERANCES APPLY. SPECIFICATIONS SUBJECT TO CHANGE WITHOUT NOTICE.



BOTTOM VIEW

Model 471 baseboard return grille is the complement to the Model 470 baseboard diffuser. The snap-in face is removable for installation and cleaning. Steel construction. Available in white or brown finish.

PROJECT: _____

ARCHITECT: _____

ENGINEER: _____

CONTRACTOR: _____

LOCATION: _____

