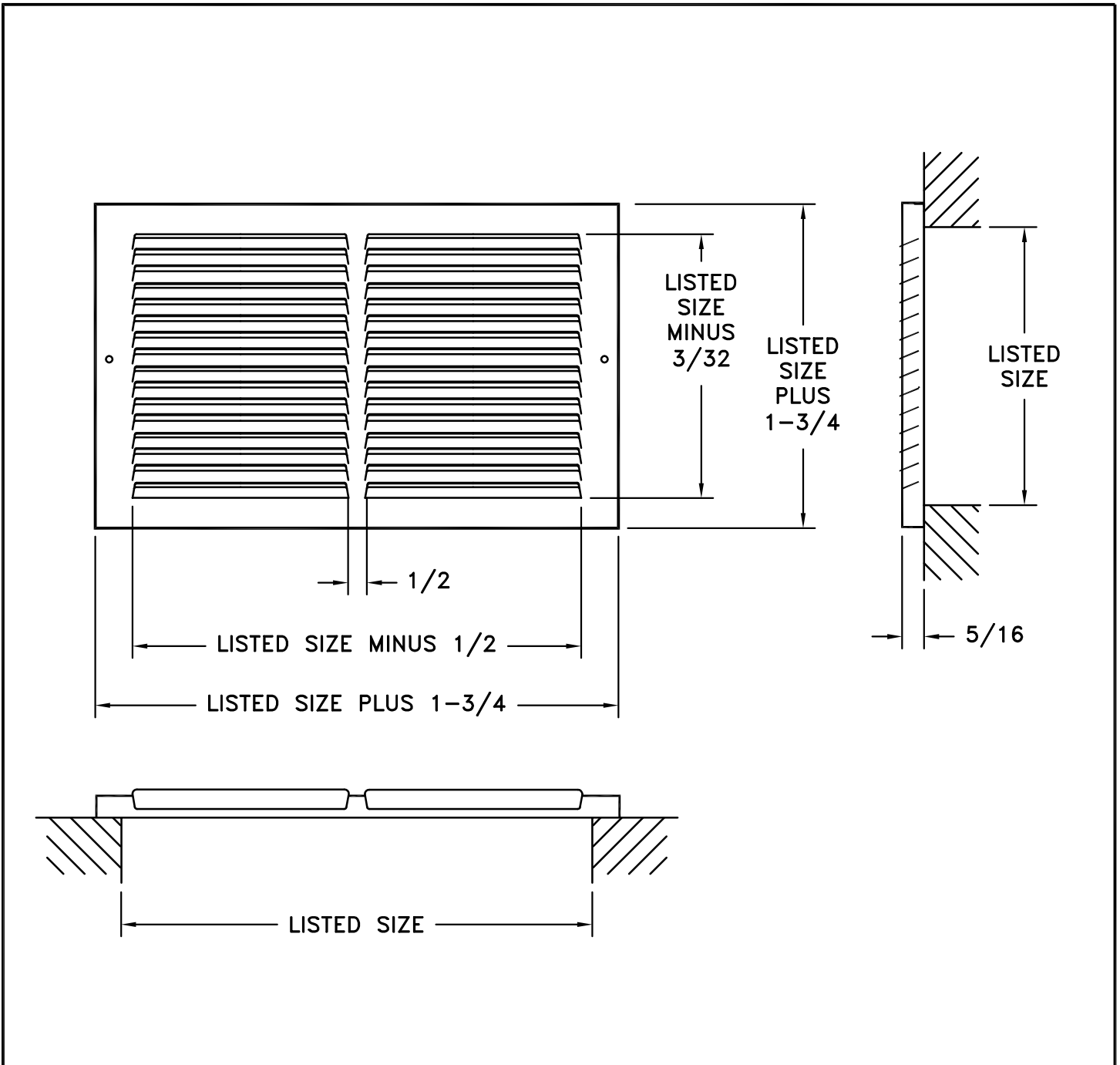


MODEL 60-GH, AL60GH

STAMPED FACE RETURN GRILLE

STANDARD INDUSTRY TOLERANCES APPLY. SPECIFICATIONS SUBJECT TO CHANGE WITHOUT NOTICE.



Model 60-GH is a stamped steel face and model AL60-GH is a stamped aluminum face return grille featuring one-piece construction. Fins spaced on $1/2$ inch centers and set at 40 degrees. Standard finish is white for steel and mill for aluminum.

PROJECT: _____

ARCHITECT: _____

ENGINEER: _____

CONTRACTOR: _____

LOCATION: _____

