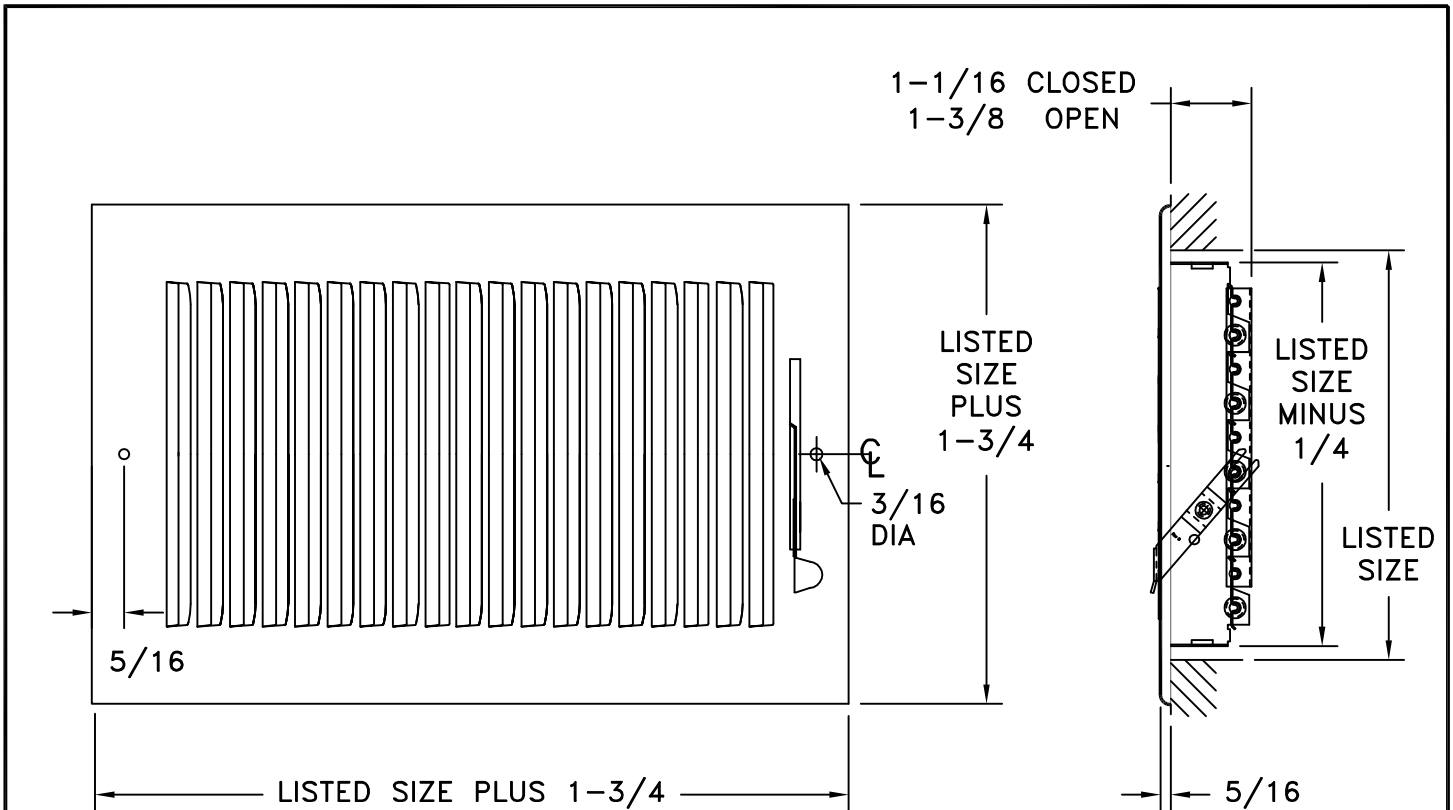


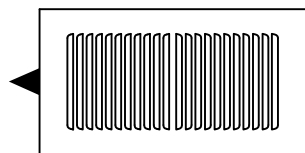
# MODEL SW

## STAMPED STRAIGHT BLADE SUPPLY WITH MULTI-LOUVER DAMPER

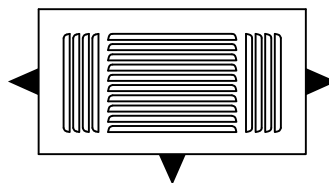
STANDARD INDUSTRY TOLERANCES APPLY. SPECIFICATIONS SUBJECT TO CHANGE WITHOUT NOTICE.



**SW1W**



**SW2W**



**SW3W**



**SW4W**

DAMPER AND DIMENSIONS ARE TYPICAL FOR ALL DEFLECTIONS

Model SW is a stamped straight blade supply for ceiling or sidewall installation. The SW features a one-piece faceplate with a multi-louver steel damper for volume control. Fins spaced at 1/2" and set at 40 degrees. Available in 1,2,3, or 4-way deflection for heating or cooling. Steel construction w/ metal lever. Standard finish is white. Sizes offered vary by face style.

PROJECT: \_\_\_\_\_  
 ARCHITECT: \_\_\_\_\_  
 ENGINEER: \_\_\_\_\_  
 CONTRACTOR: \_\_\_\_\_  
 LOCATION: \_\_\_\_\_

