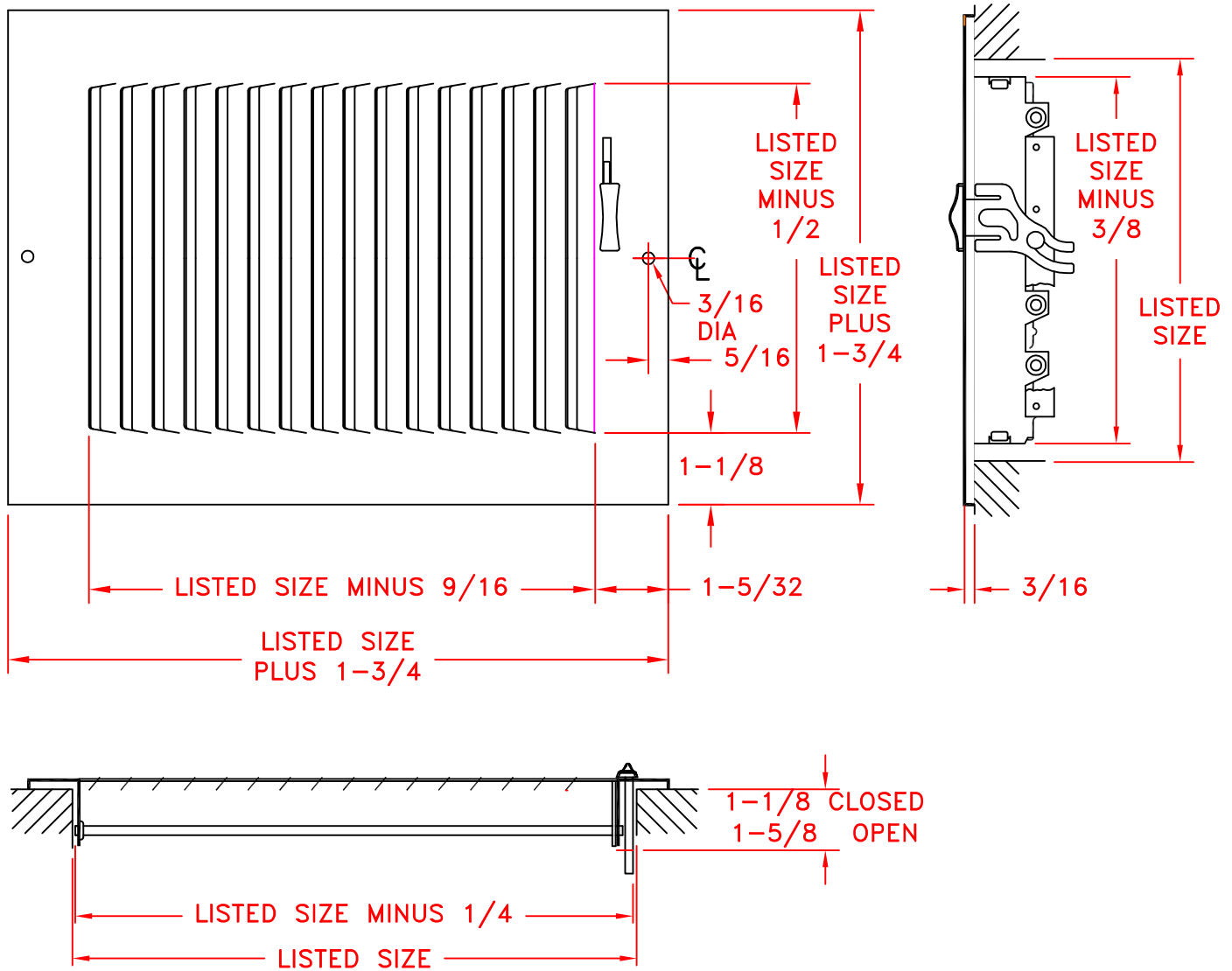


MODEL 601 & AL601

STAMPED STRAIGHT BLADE SUPPLY WITH MULTI-LOUVER DAMPER

STANDARD INDUSTRY TOLERANCES APPLY. SPECIFICATIONS SUBJECT TO CHANGE WITHOUT NOTICE.



Model 601/AL601 is a stamped straight blade supply for ceiling or sidewall installation. The 601/AL601 features a one-piece faceplate with a steel multi-louver damper for volume control. Fins spaced at 1/2" and set at 40 degrees. One way deflection is ideal for heating and cooling. Available in steel or aluminum. Standard finish is white.

PROJECT: _____

ARCHITECT: _____

ENGINEER: _____

CONTRACTOR: _____

LOCATION: _____

