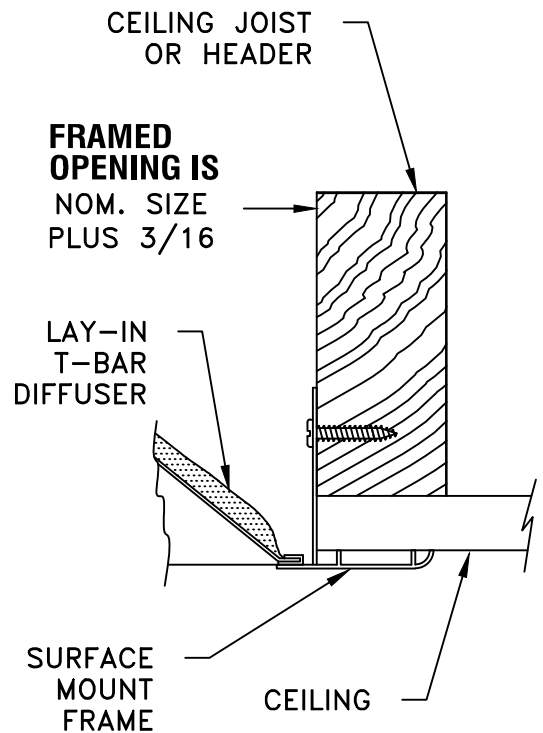
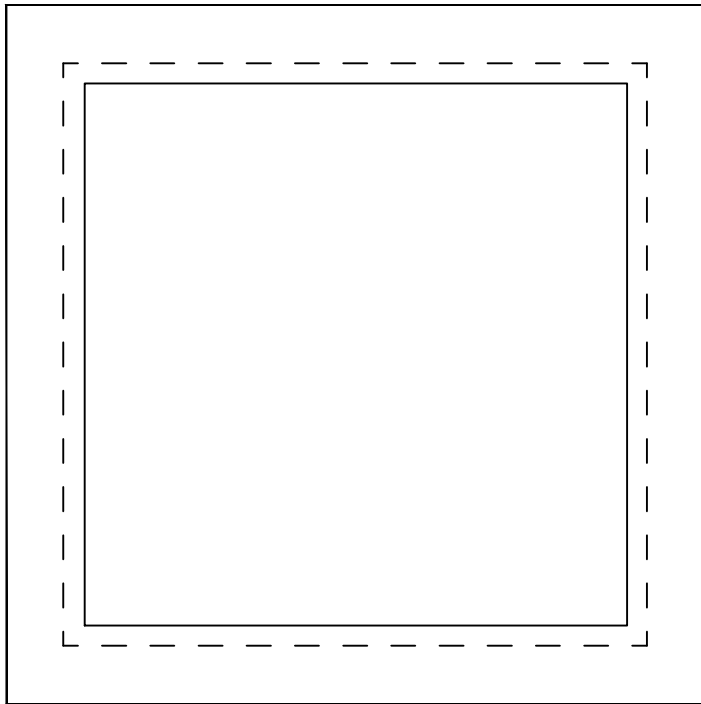
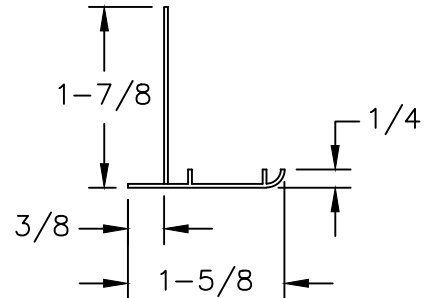
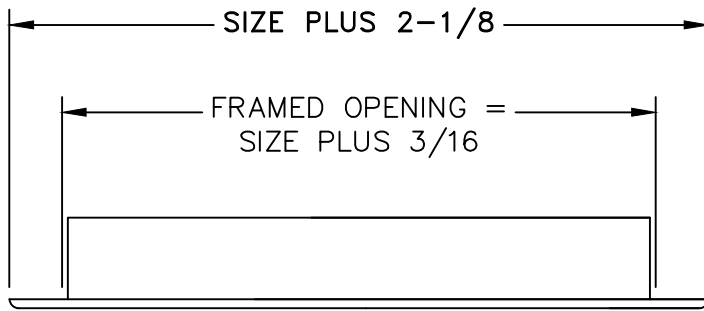


MODEL AL10PF PLASTER FRAME

STANDARD INDUSTRY TOLERANCES APPLY. SPECIFICATIONS SUBJECT TO CHANGE WITHOUT NOTICE.



Model AL10-PF (Plaster Frame) allows installation of diffuser in sheet rock and similar applications. Extruded Aluminum construction. Mounting holes are included. Standard finish is white.

PROJECT: _____
ARCHITECT: _____
ENGINEER: _____
CONTRACTOR: _____
LOCATION: _____

